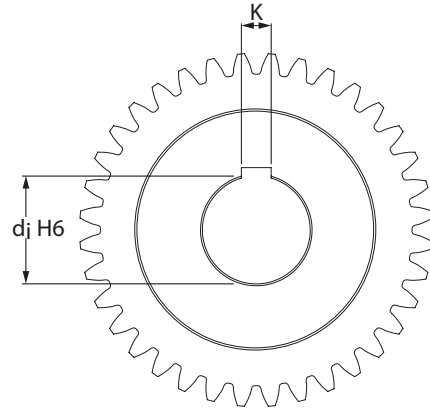
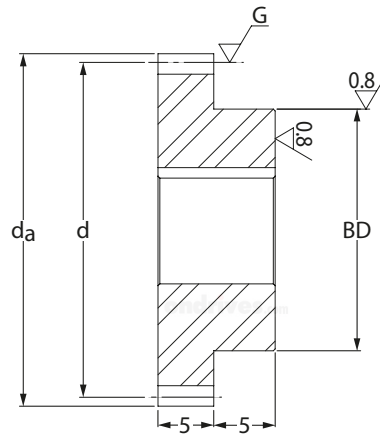


**UPSG
0.5m_n**

PRECISION GROUND GEARS

0.5 Module Ground Spur Gear α 20° PA

Quality Grade 5f DIN 3961/58405



DIN 58405 Tooth Thickness tol.

Part Number		No. of Teeth <i>z</i>	Ref. Dia. <i>d</i>	Tip Dia. <i>d_a</i>	Bore H6 <i>d_j</i>	Keyway DIN 6885-1 <i>K Js9</i>	Max. Bore H6 <i>d_j</i>	Hub Dia. <i>BD</i>
Case Hardened 805M20	Stainless Steel 17-4PH							
UPSG0.5-95H-K	UPSG0.5-95PH-K	95	47.5	48.5	10	3 x 3	24	40
UPSG0.5-98H-K	UPSG0.5-98PH-K	98	49.0	50.0	10	3 x 3	24	40
UPSG0.5-100H-K	UPSG0.5-100PH-K	100	50.0	51.0	10	3 x 3	24	40
UPSG0.5-110H-K	UPSG0.5-110PH-K	110	55.0	56.0	10	3 x 3	24	40
UPSG0.5-120H-K	UPSG0.5-120PH-K	120	60.0	61.0	10	3 x 3	24	40
UPSG0.5-130H-K	UPSG0.5-130PH-K	130	65.0	66.0	10	3 x 3	30	50
UPSG0.5-140H-K	UPSG0.5-140PH-K	140	70.0	71.0	10	3 x 3	30	50
UPSG0.5-150H-K	UPSG0.5-150PH-K	150	75.0	76.0	10	3 x 3	30	50
UPSG0.5-160H-K	UPSG0.5-160PH-K	160	80.0	81.0	10	3 x 3	30	50
UPSG0.5-170H-K	UPSG0.5-170PH-K	170	85.0	86.0	10	3 x 3	30	50
UPSG0.5-180H-K	UPSG0.5-180PH-K	180	90.0	91.0	12	4 x 4	40	70
UPSG0.5-190H-K	UPSG0.5-190PH-K	190	95.0	96.0	12	4 x 4	40	70
UPSG0.5-200H-K	UPSG0.5-200PH-K	200	100.0	101.0	12	4 x 4	40	70
UPSG0.5-210H-K	UPSG0.5-210PH-K	210	105.0	106.0	12	4 x 4	40	70
UPSG0.5-220H-K	UPSG0.5-220PH-K	220	110.0	111.0	12	4 x 4	40	70
UPSG0.5-230H-K	UPSG0.5-230PH-K	230	115.0	116.0	14	5 x 5	48	80
UPSG0.5-240H-K	UPSG0.5-240PH-K	240	120.0	121.0	14	5 x 5	48	80
UPSG0.5-250H-K	UPSG0.5-250PH-K	250	125.0	126.0	14	5 x 5	48	80
UPSG0.5-260H-K	UPSG0.5-260PH-K	260	130.0	131.0	14	5 x 5	48	80
UPSG0.5-270H-K	UPSG0.5-270PH-K	270	135.0	136.0	16	5 x 5	60	100
UPSG0.5-280H-K	UPSG0.5-280PH-K	280	140.0	141.0	16	5 x 5	60	100
UPSG0.5-290H-K	UPSG0.5-290PH-K	290	145.0	146.0	16	5 x 5	60	100
UPSG0.5-300H-K	UPSG0.5-300PH-K	300	150.0	151.0	16	5 x 5	60	100
UPSG0.5-310H-K	UPSG0.5-310PH-K	310	155.0	156.0	16	5 x 5	60	100
UPSG0.5-320H-K	UPSG0.5-320PH-K	320	160.0	161.0	20	6 x 6	72	120
UPSG0.5-330H-K	UPSG0.5-330PH-K	330	165.0	166.0	20	6 x 6	72	120
UPSG0.5-340H-K	UPSG0.5-340PH-K	340	170.0	171.0	20	6 x 6	72	120
UPSG0.5-350H-K	UPSG0.5-350PH-K	350	175.0	176.0	20	6 x 6	72	120
UPSG0.5-360H-K	UPSG0.5-360PH-K	360	180.0	181.0	20	6 x 6	72	120
UPSG0.5-370H-K	UPSG0.5-370PH-K	370	185.0	186.0	24	8 x 7	80	140
UPSG0.5-380H-K	UPSG0.5-380PH-K	380	190.0	191.0	24	8 x 7	80	140
UPSG0.5-390H-K	UPSG0.5-390PH-K	390	195.0	196.0	24	8 x 7	80	140
UPSG0.5-400H-K	UPSG0.5-400PH-K	400	200.0	201.0	24	8 x 7	80	140

UPSG
0.5m_n

PRECISION GROUND GEARS

0.5 Module Ground Spur Gear α 20° PA

Quality Grade 5f DIN 3961/58405

Standard Part **UPSG** **0.5** **200** **H** **K**

Modified Part **UPSG** **0.5** **200** **PH** **25** **K**

UPSG - Precision Form Ground Spur Gear
Quality Grade 5f DIN 3961/58405
Other Quality Grades available
See Technical

m_n Module - Cut with DIN 867 1.25/0.20/1.0
Ref. Tooth Profile Topping WD = 2.25 x m_n
Ground flanks and root

Number of Teeth **z**

K - Keyway supplied to
DIN 6885 - Js9 tolerance
See Technical

To specify different bore enter size required
Example: 25 = 25mm H6 etc
See Technical

Material H
805M20 Case Hardened 58-62HRc
Material PH
17-4PH Condition H1025, 38-40HRc

Stated keyway size relates to minimum bore.

Other numbers of teeth and tooth tolerances available on request.

Lead crowning (barrelling), profile crowning and other modifications available on request.

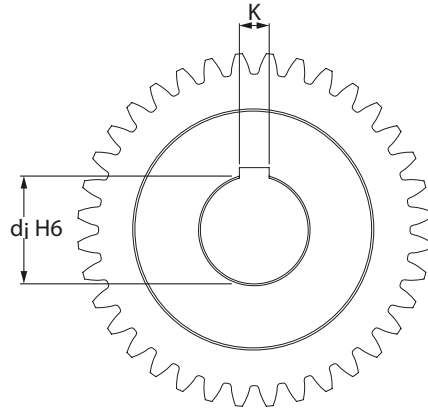
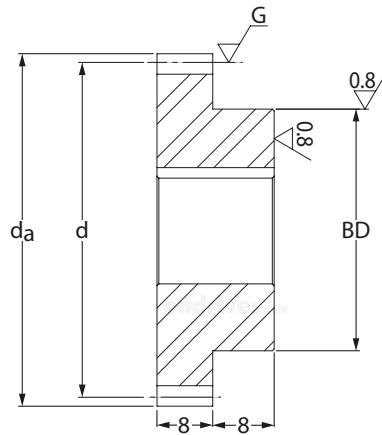
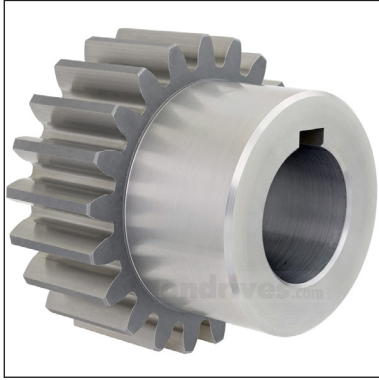
Part Number Case Hardened 805M20	Backlash (mm) j _{t,e} (max) j _{t,i} (min)	Inertia kgm ²	Mass kg	Torque T ₂ Nm n ₂ 100 Rpm	Part Number Stainless Steel 17-4PH	Backlash (mm) j _{t,e} (max) j _{t,i} (min)	Inertia kgm ²	Mass kg	Torque T ₂ Nm n ₂ 100 Rpm
UPSG0.5-95H-K	0.045 - 0.009	2.93 x 10 ⁻⁵	0.113	7.74	UPSG0.5-95PH-K	0.045 - 0.009	2.90 x 10 ⁻⁵	0.112	6.20
UPSG0.5-98H-K	0.045 - 0.009	3.19 x 10 ⁻⁵	0.117	7.92	UPSG0.5-98PH-K	0.045 - 0.009	3.16 x 10 ⁻⁵	0.116	6.33
UPSG0.5-100H-K	0.045 - 0.009	3.37 x 10 ⁻⁵	0.120	8.03	UPSG0.5-100PH-K	0.045 - 0.009	3.34 x 10 ⁻⁵	0.119	6.42
UPSG0.5-110H-K	0.051 - 0.008	4.48 x 10 ⁻⁵	0.137	7.94	UPSG0.5-110PH-K	0.051 - 0.008	4.44 x 10 ⁻⁵	0.135	6.35
UPSG0.5-120H-K	0.051 - 0.008	5.94 x 10 ⁻⁵	0.154	8.41	UPSG0.5-120PH-K	0.051 - 0.008	5.89 x 10 ⁻⁵	0.153	6.73
UPSG0.5-130H-K	0.051 - 0.008	9.24 x 10 ⁻⁵	0.201	8.85	UPSG0.5-130PH-K	0.051 - 0.008	9.16 x 10 ⁻⁵	0.199	7.08
UPSG0.5-140H-K	0.051 - 0.008	1.16 x 10 ⁻⁴	0.221	9.26	UPSG0.5-140PH-K	0.051 - 0.008	1.15 x 10 ⁻⁴	0.219	7.41
UPSG0.5-150H-K	0.051 - 0.008	1.45 x 10 ⁻⁴	0.244	9.65	UPSG0.5-150PH-K	0.051 - 0.008	1.44 x 10 ⁻⁴	0.242	7.72
UPSG0.5-160H-K	0.051 - 0.008	1.81 x 10 ⁻⁴	0.268	10.01	UPSG0.5-160PH-K	0.051 - 0.008	1.79 x 10 ⁻⁴	0.265	8.01
UPSG0.5-170H-K	0.053 - 0.006	2.24 x 10 ⁻⁴	0.293	10.35	UPSG0.5-170PH-K	0.053 - 0.006	2.22 x 10 ⁻⁴	0.290	8.28
UPSG0.5-180H-K	0.053 - 0.006	3.44 x 10 ⁻⁴	0.391	10.66	UPSG0.5-180PH-K	0.053 - 0.006	3.41 x 10 ⁻⁴	0.388	8.53
UPSG0.5-190H-K	0.053 - 0.006	4.05 x 10 ⁻⁴	0.420	10.95	UPSG0.5-190PH-K	0.053 - 0.006	4.01 x 10 ⁻⁴	0.416	8.76
UPSG0.5-200H-K	0.053 - 0.006	4.76 x 10 ⁻⁴	0.450	11.22	UPSG0.5-200PH-K	0.053 - 0.006	4.72 x 10 ⁻⁴	0.446	8.97
UPSG0.5-210H-K	0.057 - 0.009	5.59 x 10 ⁻⁴	0.481	11.46	UPSG0.5-210PH-K	0.057 - 0.009	5.54 x 10 ⁻⁴	0.477	9.16
UPSG0.5-220H-K	0.057 - 0.009	6.54 x 10 ⁻⁴	0.514	11.67	UPSG0.5-220PH-K	0.057 - 0.009	6.48 x 10 ⁻⁴	0.510	9.33
UPSG0.5-230H-K	0.057 - 0.009	8.29 x 10 ⁻⁴	0.591	11.85	UPSG0.5-230PH-K	0.057 - 0.009	8.22 x 10 ⁻⁴	0.586	9.48
UPSG0.5-240H-K	0.057 - 0.009	9.54 x 10 ⁻⁴	0.628	12.01	UPSG0.5-240PH-K	0.057 - 0.009	9.45 x 10 ⁻⁴	0.622	9.61
UPSG0.5-250H-K	0.059 - 0.007	1.09 x 10 ⁻³	0.665	12.15	UPSG0.5-250PH-K	0.059 - 0.007	1.09 x 10 ⁻³	0.659	9.72
UPSG0.5-260H-K	0.059 - 0.007	1.25 x 10 ⁻³	0.705	12.07	UPSG0.5-260PH-K	0.059 - 0.007	1.24 x 10 ⁻³	0.698	9.65
UPSG0.5-270H-K	0.059 - 0.007	1.66 x 10 ⁻³	0.853	12.15	UPSG0.5-270PH-K	0.059 - 0.007	1.65 x 10 ⁻³	0.845	9.72
UPSG0.5-280H-K	0.059 - 0.007	1.86 x 10 ⁻³	0.895	12.21	UPSG0.5-280PH-K	0.059 - 0.007	1.84 x 10 ⁻³	0.887	9.76
UPSG0.5-290H-K	0.059 - 0.007	2.08 x 10 ⁻³	0.939	12.24	UPSG0.5-290PH-K	0.059 - 0.007	2.06 x 10 ⁻³	0.931	9.79
UPSG0.5-300H-K	0.059 - 0.007	2.33 x 10 ⁻³	0.985	12.25	UPSG0.5-300PH-K	0.059 - 0.007	2.31 x 10 ⁻³	0.976	9.80
UPSG0.5-310H-K	0.059 - 0.007	2.60 x 10 ⁻³	1.032	10.83	UPSG0.5-310PH-K	0.059 - 0.007	2.58 x 10 ⁻³	1.022	8.66
UPSG0.5-320H-K	0.059 - 0.007	3.32 x 10 ⁻³	1.207	11.13	UPSG0.5-320PH-K	0.059 - 0.007	3.29 x 10 ⁻³	1.196	8.90
UPSG0.5-330H-K	0.059 - 0.007	3.65 x 10 ⁻³	1.257	11.42	UPSG0.5-330PH-K	0.059 - 0.007	3.61 x 10 ⁻³	1.246	9.14
UPSG0.5-340H-K	0.059 - 0.007	4.01 x 10 ⁻³	1.308	11.72	UPSG0.5-340PH-K	0.059 - 0.007	3.97 x 10 ⁻³	1.297	9.37
UPSG0.5-350H-K	0.059 - 0.007	4.40 x 10 ⁻³	1.362	12.01	UPSG0.5-350PH-K	0.059 - 0.007	4.36 x 10 ⁻³	1.349	9.61
UPSG0.5-360H-K	0.059 - 0.007	4.83 x 10 ⁻³	1.416	12.30	UPSG0.5-360PH-K	0.059 - 0.007	4.79 x 10 ⁻³	1.404	9.84
UPSG0.5-370H-K	0.061 - 0.005	5.98 x 10 ⁻³	1.623	12.60	UPSG0.5-370PH-K	0.061 - 0.005	5.93 x 10 ⁻³	1.608	10.08
UPSG0.5-380H-K	0.061 - 0.005	6.49 x 10 ⁻³	1.680	12.89	UPSG0.5-380PH-K	0.061 - 0.005	6.43 x 10 ⁻³	1.665	10.31
UPSG0.5-390H-K	0.061 - 0.005	7.04 x 10 ⁻³	1.740	13.19	UPSG0.5-390PH-K	0.061 - 0.005	6.97 x 10 ⁻³	1.724	10.55
UPSG0.5-400H-K	0.061 - 0.005	7.63 x 10 ⁻³	1.800	13.48	UPSG0.5-400PH-K	0.061 - 0.005	7.56 x 10 ⁻³	1.784	10.78

**UPSG
0.8m_n**

PRECISION GROUND GEARS

0.8 Module Ground Spur Gear α 20° PA

Quality Grade 5f DIN 3961/58405



DIN 58405 Tooth Thickness tol.

Part Number		No. of Teeth <i>z</i>	Ref. Dia. <i>d</i>	Tip Dia. <i>d_a</i>	Bore H6 <i>d_j</i>	Keyway DIN 6885-1 <i>K Js9</i>	Max. Bore H6 <i>d_j</i>	Hub Dia. <i>BD</i>
Case Hardened 805M20	Stainless Steel 17-4PH							
UPSG0.8-60H-K	UPSG0.8-60PH-K	60	48.0	49.6	10	3 x 3	24	40
UPSG0.8-61H-K	UPSG0.8-61PH-K	61	48.8	50.4	10	3 x 3	24	40
UPSG0.8-62H-K	UPSG0.8-62PH-K	62	49.6	51.2	10	3 x 3	24	40
UPSG0.8-63H-K	UPSG0.8-63PH-K	63	50.4	52.0	10	3 x 3	24	40
UPSG0.8-64H-K	UPSG0.8-64PH-K	64	51.2	52.8	10	3 x 3	24	40
UPSG0.8-65H-K	UPSG0.8-65PH-K	65	52.0	53.6	10	3 x 3	24	40
UPSG0.8-66H-K	UPSG0.8-66PH-K	66	52.8	54.4	10	3 x 3	24	40
UPSG0.8-68H-K	UPSG0.8-68PH-K	68	54.4	56.0	10	3 x 3	24	40
UPSG0.8-69H-K	UPSG0.8-69PH-K	69	55.2	56.8	10	3 x 3	24	40
UPSG0.8-70H-K	UPSG0.8-70PH-K	70	56.0	57.6	10	3 x 3	24	40
UPSG0.8-72H-K	UPSG0.8-72PH-K	72	57.6	59.2	10	3 x 3	24	40
UPSG0.8-74H-K	UPSG0.8-74PH-K	74	59.2	60.8	10	3 x 3	24	40
UPSG0.8-75H-K	UPSG0.8-75PH-K	75	60.0	61.6	10	3 x 3	24	40
UPSG0.8-78H-K	UPSG0.8-78PH-K	78	62.4	64.0	10	3 x 3	30	50
UPSG0.8-80H-K	UPSG0.8-80PH-K	80	64.0	65.6	10	3 x 3	30	50
UPSG0.8-82H-K	UPSG0.8-82PH-K	82	65.6	67.2	10	3 x 3	30	50
UPSG0.8-85H-K	UPSG0.8-85PH-K	85	68.0	69.6	10	3 x 3	30	50
UPSG0.8-88H-K	UPSG0.8-88PH-K	88	70.4	72.0	10	3 x 3	30	50
UPSG0.8-90H-K	UPSG0.8-90PH-K	90	72.0	73.6	10	3 x 3	30	50
UPSG0.8-92H-K	UPSG0.8-92PH-K	92	73.6	75.2	10	3 x 3	30	50
UPSG0.8-95H-K	UPSG0.8-95PH-K	95	76.0	77.6	10	3 x 3	30	50
UPSG0.8-98H-K	UPSG0.8-98PH-K	98	78.4	80.0	10	3 x 3	30	50
UPSG0.8-100H-K	UPSG0.8-100PH-K	100	80.0	81.6	10	3 x 3	30	50
UPSG0.8-110H-K	UPSG0.8-110PH-K	110	88.0	89.6	12	4 x 4	40	70
UPSG0.8-120H-K	UPSG0.8-120PH-K	120	96.0	97.6	12	4 x 4	40	70
UPSG0.8-130H-K	UPSG0.8-130PH-K	130	104.0	105.6	12	4 x 4	40	70
UPSG0.8-140H-K	UPSG0.8-140PH-K	140	112.0	113.6	14	5 x 5	48	80
UPSG0.8-150H-K	UPSG0.8-150PH-K	150	120.0	121.6	14	5 x 5	48	80
UPSG0.8-160H-K	UPSG0.8-160PH-K	160	128.0	129.6	14	5 x 5	48	80
UPSG0.8-170H-K	UPSG0.8-170PH-K	170	136.0	137.6	16	5 x 5	60	100
UPSG0.8-180H-K	UPSG0.8-180PH-K	180	144.0	145.6	16	5 x 5	60	100
UPSG0.8-190H-K	UPSG0.8-190PH-K	190	152.0	153.6	16	5 x 5	60	100
UPSG0.8-200H-K	UPSG0.8-200PH-K	200	160.0	161.6	16	5 x 5	60	100
UPSG0.8-210H-K	UPSG0.8-210PH-K	210	168.0	169.6	20	6 x 6	72	120
UPSG0.8-220H-K	UPSG0.8-220PH-K	220	176.0	177.6	20	6 x 6	72	120
UPSG0.8-230H-K	UPSG0.8-230PH-K	230	184.0	185.6	20	6 x 6	72	120
UPSG0.8-240H-K	UPSG0.8-240PH-K	240	192.0	193.6	24	8 x 7	80	140
UPSG0.8-250H-K	UPSG0.8-250PH-K	250	200.0	201.6	24	8 x 7	80	140
UPSG0.8-260H-K	UPSG0.8-260PH-K	260	208.0	209.6	24	8 x 7	80	140

UPSG
0.8m_n

PRECISION GROUND GEARS

0.8 Module Ground Spur Gear α 20° PA

Quality Grade 5f DIN 3961/58405

Standard Part **UPSG** **0.8** **78** **H** **K**

Modified Part **UPSG** **0.8** **78** **PH** **25** **K**

UPSG - Precision Form Ground Spur Gear
Quality Grade 5f DIN 3961/58405
Other Quality Grades available
See Technical

m_n Module - Cut with DIN 867 1.25/0.20/1.0
Ref. Tooth Profile Topping WD = 2.25 x m_n
Ground flanks and root

Number of Teeth **z**

K - Keyway supplied to
DIN 6885 - Js9 tolerance
See Technical

To specify different bore enter size required
Example: 25 = 25mm H6 etc
See Technical

Material H
805M20 Case Hardened 58-62HRc
Material PH
17-4PH Condition H1025, 38-40HRc

Stated keyway size relates to minimum bore.

Other numbers of teeth and tooth tolerances available on request.

Lead crowning (barrelling), profile crowning and other modifications available on request.

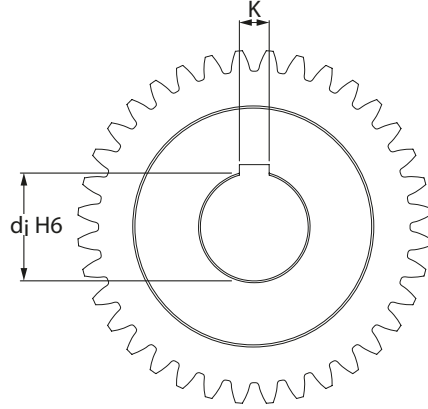
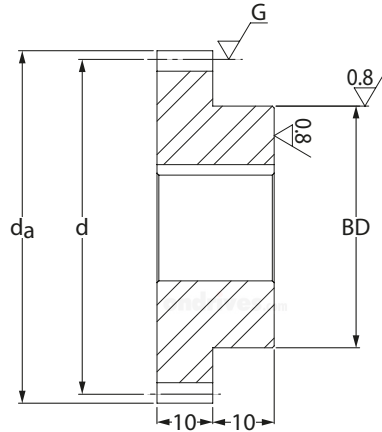
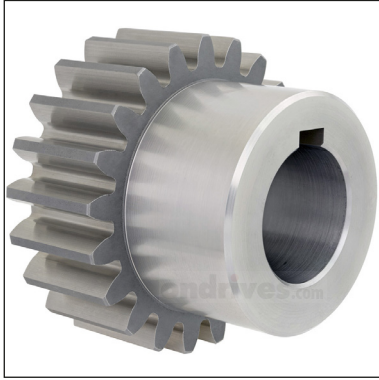
Part Number Case Hardened 805M20	Backlash (mm) j _{t,e} (max) j _{t,i} (min)	Inertia kgm ²	Mass kg	Torque T ₂ Nm n ₂ 100 Rpm	Part Number Stainless Steel 17-4PH	Backlash (mm) j _{t,e} (max) j _{t,i} (min)	Inertia kgm ²	Mass kg	Torque T ₂ Nm n ₂ 100 Rpm
UPSG0.8-60H-K	0.050 - 0.010	4.81 x 10 ⁻⁵	0.183	28.42	UPSG0.8-60PH-K	0.050 - 0.010	4.77 x 10 ⁻⁵	0.181	22.73
UPSG0.8-61H-K	0.050 - 0.010	5.04 x 10 ⁻⁵	0.186	28.88	UPSG0.8-61PH-K	0.050 - 0.010	4.99 x 10 ⁻⁵	0.185	23.10
UPSG0.8-62H-K	0.050 - 0.010	5.27 x 10 ⁻⁵	0.190	29.31	UPSG0.8-62PH-K	0.050 - 0.010	5.22 x 10 ⁻⁵	0.189	23.44
UPSG0.8-63H-K	0.056 - 0.010	5.51 x 10 ⁻⁵	0.194	29.68	UPSG0.8-63PH-K	0.056 - 0.010	5.46 x 10 ⁻⁵	0.193	23.75
UPSG0.8-64H-K	0.056 - 0.010	5.77 x 10 ⁻⁵	0.198	29.04	UPSG0.8-64PH-K	0.056 - 0.010	5.72 x 10 ⁻⁵	0.197	23.23
UPSG0.8-65H-K	0.056 - 0.010	6.04 x 10 ⁻⁵	0.202	29.39	UPSG0.8-65PH-K	0.056 - 0.010	5.99 x 10 ⁻⁵	0.201	23.51
UPSG0.8-66H-K	0.056 - 0.010	6.32 x 10 ⁻⁵	0.206	29.74	UPSG0.8-66PH-K	0.056 - 0.010	6.26 x 10 ⁻⁵	0.205	23.79
UPSG0.8-68H-K	0.056 - 0.010	6.92 x 10 ⁻⁵	0.215	30.44	UPSG0.8-68PH-K	0.056 - 0.010	6.86 x 10 ⁻⁵	0.213	24.35
UPSG0.8-69H-K	0.056 - 0.010	7.25 x 10 ⁻⁵	0.219	30.78	UPSG0.8-69PH-K	0.056 - 0.010	7.18 x 10 ⁻⁵	0.217	24.62
UPSG0.8-70H-K	0.056 - 0.010	7.58 x 10 ⁻⁵	0.224	31.12	UPSG0.8-70PH-K	0.056 - 0.010	7.51 x 10 ⁻⁵	0.222	24.89
UPSG0.8-72H-K	0.056 - 0.010	8.30 x 10 ⁻⁵	0.232	31.79	UPSG0.8-72PH-K	0.056 - 0.010	8.23 x 10 ⁻⁵	0.230	25.43
UPSG0.8-74H-K	0.056 - 0.010	9.08 x 10 ⁻⁵	0.242	32.46	UPSG0.8-74PH-K	0.056 - 0.010	9.00 x 10 ⁻⁵	0.240	25.96
UPSG0.8-75H-K	0.056 - 0.010	9.50 x 10 ⁻⁵	0.246	32.78	UPSG0.8-75PH-K	0.056 - 0.010	9.41 x 10 ⁻⁵	0.244	26.23
UPSG0.8-78H-K	0.056 - 0.010	1.31 x 10 ⁻⁴	0.305	33.76	UPSG0.8-78PH-K	0.056 - 0.010	1.30 x 10 ⁻⁴	0.302	27.00
UPSG0.8-80H-K	0.056 - 0.010	1.41 x 10 ⁻⁴	0.315	34.39	UPSG0.8-80PH-K	0.056 - 0.010	1.40 x 10 ⁻⁴	0.312	27.51
UPSG0.8-82H-K	0.056 - 0.010	1.52 x 10 ⁻⁴	0.325	35.02	UPSG0.8-82PH-K	0.056 - 0.010	1.50 x 10 ⁻⁴	0.322	28.01
UPSG0.8-85H-K	0.056 - 0.010	1.69 x 10 ⁻⁴	0.341	35.94	UPSG0.8-85PH-K	0.056 - 0.010	1.68 x 10 ⁻⁴	0.337	28.75
UPSG0.8-88H-K	0.056 - 0.010	1.89 x 10 ⁻⁴	0.357	36.85	UPSG0.8-88PH-K	0.056 - 0.010	1.87 x 10 ⁻⁴	0.354	29.48
UPSG0.8-90H-K	0.056 - 0.010	2.03 x 10 ⁻⁴	0.368	37.44	UPSG0.8-90PH-K	0.056 - 0.010	2.01 x 10 ⁻⁴	0.365	29.95
UPSG0.8-92H-K	0.056 - 0.010	2.18 x 10 ⁻⁴	0.380	38.02	UPSG0.8-92PH-K	0.056 - 0.010	2.16 x 10 ⁻⁴	0.376	30.42
UPSG0.8-95H-K	0.056 - 0.010	2.43 x 10 ⁻⁴	0.397	38.88	UPSG0.8-95PH-K	0.056 - 0.010	2.40 x 10 ⁻⁴	0.394	31.10
UPSG0.8-98H-K	0.056 - 0.010	2.70 x 10 ⁻⁴	0.415	39.73	UPSG0.8-98PH-K	0.056 - 0.010	2.67 x 10 ⁻⁴	0.412	31.78
UPSG0.8-100H-K	0.056 - 0.010	2.89 x 10 ⁻⁴	0.428	40.28	UPSG0.8-100PH-K	0.056 - 0.010	2.87 x 10 ⁻⁴	0.424	32.22
UPSG0.8-110H-K	0.057 - 0.009	5.15 x 10 ⁻⁴	0.608	42.92	UPSG0.8-110PH-K	0.057 - 0.009	5.10 x 10 ⁻⁴	0.603	34.34
UPSG0.8-120H-K	0.057 - 0.009	6.68 x 10 ⁻⁴	0.680	45.37	UPSG0.8-120PH-K	0.057 - 0.009	6.62 x 10 ⁻⁴	0.674	36.30
UPSG0.8-130H-K	0.062 - 0.011	8.65 x 10 ⁻⁴	0.759	47.64	UPSG0.8-130PH-K	0.062 - 0.011	8.57 x 10 ⁻⁴	0.752	38.11
UPSG0.8-140H-K	0.062 - 0.011	1.22 x 10 ⁻³	0.912	49.71	UPSG0.8-140PH-K	0.062 - 0.011	1.21 x 10 ⁻³	0.904	39.77
UPSG0.8-150H-K	0.062 - 0.011	1.52 x 10 ⁻³	1.003	51.60	UPSG0.8-150PH-K	0.062 - 0.011	1.51 x 10 ⁻³	0.994	41.28
UPSG0.8-160H-K	0.064 - 0.009	1.90 x 10 ⁻³	1.101	50.01	UPSG0.8-160PH-K	0.064 - 0.009	1.88 x 10 ⁻³	1.091	40.01
UPSG0.8-170H-K	0.064 - 0.009	2.71 x 10 ⁻³	1.377	51.61	UPSG0.8-170PH-K	0.064 - 0.009	2.69 x 10 ⁻³	1.365	41.28
UPSG0.8-180H-K	0.064 - 0.009	3.25 x 10 ⁻³	1.487	53.05	UPSG0.8-180PH-K	0.064 - 0.009	3.23 x 10 ⁻³	1.474	42.44
UPSG0.8-190H-K	0.064 - 0.009	3.89 x 10 ⁻³	1.604	54.34	UPSG0.8-190PH-K	0.064 - 0.009	3.86 x 10 ⁻³	1.590	43.47
UPSG0.8-200H-K	0.064 - 0.009	4.64 x 10 ⁻³	1.727	55.48	UPSG0.8-200PH-K	0.064 - 0.009	4.60 x 10 ⁻³	1.712	44.38
UPSG0.8-210H-K	0.064 - 0.009	6.17 x 10 ⁻³	2.059	56.47	UPSG0.8-210PH-K	0.064 - 0.009	6.11 x 10 ⁻³	2.041	45.17
UPSG0.8-220H-K	0.064 - 0.009	7.17 x 10 ⁻³	2.195	57.30	UPSG0.8-220PH-K	0.064 - 0.009	7.11 x 10 ⁻³	2.175	45.84
UPSG0.8-230H-K	0.066 - 0.007	8.32 x 10 ⁻³	2.337	57.98	UPSG0.8-230PH-K	0.066 - 0.007	8.24 x 10 ⁻³	2.316	46.38
UPSG0.8-240H-K	0.066 - 0.007	1.07 x 10 ⁻²	2.725	58.52	UPSG0.8-240PH-K	0.066 - 0.007	1.06 x 10 ⁻²	2.701	46.82
UPSG0.8-250H-K	0.066 - 0.007	1.22 x 10 ⁻²	2.879	58.91	UPSG0.8-250PH-K	0.066 - 0.007	1.21 x 10 ⁻²	2.854	47.13
UPSG0.8-260H-K	0.072 - 0.011	1.39 x 10 ⁻²	3.040	59.16	UPSG0.8-260PH-K	0.072 - 0.011	1.37 x 10 ⁻²	3.013	47.33

**UPSG
1.0m_n**

PRECISION GROUND GEARS

1.0 Module Ground Spur Gear α 20° PA

Quality Grade 4f24 DIN 3961/3967



DIN 3967 Tooth Thickness tol.

Part Number		No. of Teeth <i>z</i>	Ref. Dia. <i>d</i>	Tip Dia. <i>d_a</i>	Bore H6 <i>d_j</i>	Keyway DIN 6885-1 <i>K Js9</i>	Max. Bore H6 <i>d_j</i>	Hub Dia. <i>BD</i>
Case Hardened 805M20	Stainless Steel 17-4PH							
UPSG1.0-50H-K	UPSG1.0-50PH-K	50	50	52	10	3 x 3	24	40
UPSG1.0-51H-K	UPSG1.0-51PH-K	51	51	53	10	3 x 3	24	40
UPSG1.0-52H-K	UPSG1.0-52PH-K	52	52	54	10	3 x 3	24	40
UPSG1.0-53H-K	UPSG1.0-53PH-K	53	53	55	10	3 x 3	24	40
UPSG1.0-54H-K	UPSG1.0-54PH-K	54	54	56	10	3 x 3	24	40
UPSG1.0-55H-K	UPSG1.0-55PH-K	55	55	57	10	3 x 3	24	40
UPSG1.0-56H-K	UPSG1.0-56PH-K	56	56	58	10	3 x 3	24	40
UPSG1.0-57H-K	UPSG1.0-57PH-K	57	57	59	10	3 x 3	24	40
UPSG1.0-58H-K	UPSG1.0-58PH-K	58	58	60	10	3 x 3	24	40
UPSG1.0-59H-K	UPSG1.0-59PH-K	59	59	61	10	3 x 3	24	40
UPSG1.0-60H-K	UPSG1.0-60PH-K	60	60	62	10	3 x 3	24	40
UPSG1.0-61H-K	UPSG1.0-61PH-K	61	61	63	10	3 x 3	24	40
UPSG1.0-62H-K	UPSG1.0-62PH-K	62	62	64	10	3 x 3	24	40
UPSG1.0-63H-K	UPSG1.0-63PH-K	63	63	65	10	3 x 3	24	40
UPSG1.0-64H-K	UPSG1.0-64PH-K	64	64	66	10	3 x 3	24	40
UPSG1.0-65H-K	UPSG1.0-65PH-K	65	65	67	10	3 x 3	30	50
UPSG1.0-66H-K	UPSG1.0-66PH-K	66	66	68	10	3 x 3	30	50
UPSG1.0-67H-K	UPSG1.0-67PH-K	67	67	69	10	3 x 3	30	50
UPSG1.0-68H-K	UPSG1.0-68PH-K	68	68	70	10	3 x 3	30	50
UPSG1.0-69H-K	UPSG1.0-69PH-K	69	69	71	10	3 x 3	30	50
UPSG1.0-70H-K	UPSG1.0-70PH-K	70	70	72	10	3 x 3	30	50
UPSG1.0-72H-K	UPSG1.0-72PH-K	72	72	74	10	3 x 3	30	50
UPSG1.0-75H-K	UPSG1.0-75PH-K	75	75	77	10	3 x 3	30	50
UPSG1.0-78H-K	UPSG1.0-78PH-K	78	78	80	10	3 x 3	30	50
UPSG1.0-80H-K	UPSG1.0-80PH-K	80	80	82	10	3 x 3	30	50
UPSG1.0-82H-K	UPSG1.0-82PH-K	82	82	84	12	4 x 4	36	60
UPSG1.0-85H-K	UPSG1.0-85PH-K	85	85	87	12	4 x 4	36	60
UPSG1.0-88H-K	UPSG1.0-88PH-K	88	88	90	12	4 x 4	36	60
UPSG1.0-90H-K	UPSG1.0-90PH-K	90	90	92	12	4 x 4	36	60
UPSG1.0-92H-K	UPSG1.0-92PH-K	92	92	94	12	4 x 4	36	60
UPSG1.0-95H-K	UPSG1.0-95PH-K	95	95	97	12	4 x 4	40	70
UPSG1.0-98H-K	UPSG1.0-98PH-K	98	98	100	12	4 x 4	40	70
UPSG1.0-100H-K	UPSG1.0-100PH-K	100	100	102	12	4 x 4	40	70
UPSG1.0-110H-K	UPSG1.0-110PH-K	110	110	112	12	4 x 4	40	70
UPSG1.0-120H-K	UPSG1.0-120PH-K	120	120	122	14	5 x 5	48	80
UPSG1.0-130H-K	UPSG1.0-130PH-K	130	130	132	14	5 x 5	48	80
UPSG1.0-150H-K	UPSG1.0-150PH-K	150	150	152	16	5 x 5	60	100
UPSG1.0-250H-K	UPSG1.0-250PH-K	250	250	252	30	8 x 7	96	160
UPSG1.0-290H-K	UPSG1.0-290PH-K	290	290	292	36	10 x 8	120	200

UPSG
1.0m_n

PRECISION GROUND GEARS

1.0 Module Ground Spur Gear α 20° PA

Quality Grade 4f24 DIN 3961/3967

Standard Part **UPSG** **1.0** **60** **H** **K**

Modified Part **UPSG** **1.0** **60** **PH** **18** **K**

UPSG - Precision Form Ground Spur Gear
Quality Grade 4f24 DIN 3961/3967
Other Quality Grades available
See Technical

m_n Module - Cut with DIN 867 1.25/0.20/1.0
Ref. Tooth Profile Topping WD = 2.25 x m_n
Ground flanks and root

Number of Teeth **z**

K - Keyway supplied to
DIN 6885 - Js9 tolerance
See Technical

To specify different bore enter size required
Example: 18 = 18mm H6 etc
See Technical

Material H
805M20 Case Hardened 58-62Hrc
Material PH
17-4PH Condition H1025, 38-40Hrc

Stated keyway size relates to minimum bore.

Other numbers of teeth and tooth tolerances available on request.

Lead crowning (barrelling), profile crowning and other modifications available on request.

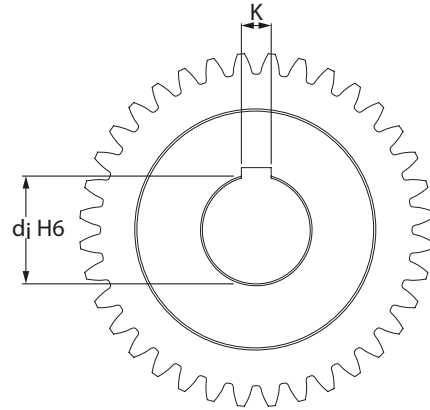
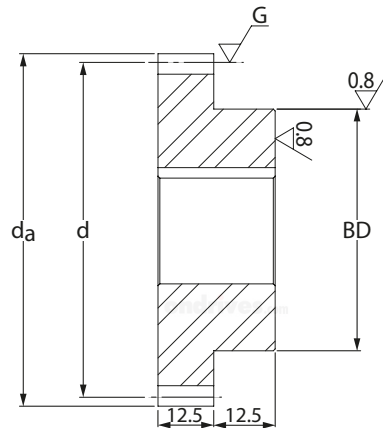
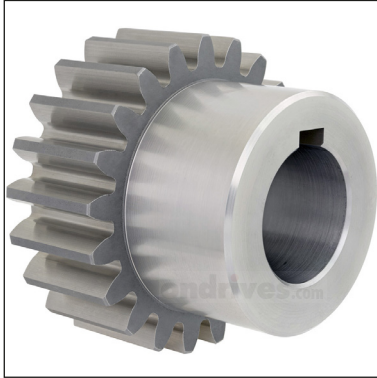
Part Number Case Hardened 805M20	Backlash (mm) j _{t,e} (max)/j _{t,i} (min)	Inertia kgm ²	Mass kg	Torque T ₂ Nm n ₂ 100 Rpm	Part Number Stainless Steel 17-4PH	Backlash (mm) j _{t,e} (max)/j _{t,i} (min)	Inertia kgm ²	Mass kg	Torque T ₂ Nm n ₂ 100 Rpm
UPSG1.0-50H-K	0.077 - 0.019	6.74 x 10 ⁻⁵	0.240	48.50	UPSG1.0-50PH-K	0.077 - 0.019	6.68 x 10 ⁻⁵	0.238	38.80
UPSG1.0-51H-K	0.099 - 0.027	7.13 x 10 ⁻⁵	0.246	49.11	UPSG1.0-51PH-K	0.099 - 0.027	7.07 x 10 ⁻⁵	0.244	39.29
UPSG1.0-52H-K	0.099 - 0.027	7.55 x 10 ⁻⁵	0.253	50.11	UPSG1.0-52PH-K	0.099 - 0.027	7.48 x 10 ⁻⁵	0.250	40.08
UPSG1.0-53H-K	0.099 - 0.027	7.99 x 10 ⁻⁵	0.259	51.10	UPSG1.0-53PH-K	0.099 - 0.027	7.92 x 10 ⁻⁵	0.257	40.88
UPSG1.0-54H-K	0.099 - 0.027	8.46 x 10 ⁻⁵	0.266	52.08	UPSG1.0-54PH-K	0.099 - 0.027	8.38 x 10 ⁻⁵	0.263	41.66
UPSG1.0-55H-K	0.099 - 0.027	8.95 x 10 ⁻⁵	0.272	53.06	UPSG1.0-55PH-K	0.099 - 0.027	8.87 x 10 ⁻⁵	0.270	42.45
UPSG1.0-56H-K	0.099 - 0.027	9.48 x 10 ⁻⁵	0.279	54.04	UPSG1.0-56PH-K	0.099 - 0.027	9.39 x 10 ⁻⁵	0.277	43.23
UPSG1.0-57H-K	0.099 - 0.027	1.00 x 10 ⁻⁴	0.286	55.02	UPSG1.0-57PH-K	0.099 - 0.027	9.94 x 10 ⁻⁵	0.284	44.01
UPSG1.0-58H-K	0.099 - 0.027	1.06 x 10 ⁻⁴	0.293	55.99	UPSG1.0-58PH-K	0.099 - 0.027	1.05 x 10 ⁻⁴	0.291	44.79
UPSG1.0-59H-K	0.099 - 0.027	1.12 x 10 ⁻⁴	0.300	56.95	UPSG1.0-59PH-K	0.099 - 0.027	1.11 x 10 ⁻⁴	0.298	45.56
UPSG1.0-60H-K	0.099 - 0.027	1.19 x 10 ⁻⁴	0.308	57.91	UPSG1.0-60PH-K	0.099 - 0.027	1.18 x 10 ⁻⁴	0.305	46.33
UPSG1.0-61H-K	0.099 - 0.027	1.25 x 10 ⁻⁴	0.315	58.87	UPSG1.0-61PH-K	0.099 - 0.027	1.24 x 10 ⁻⁴	0.312	47.10
UPSG1.0-62H-K	0.099 - 0.027	1.33 x 10 ⁻⁴	0.323	59.82	UPSG1.0-62PH-K	0.099 - 0.027	1.31 x 10 ⁻⁴	0.320	47.86
UPSG1.0-63H-K	0.099 - 0.027	1.40 x 10 ⁻⁴	0.330	60.77	UPSG1.0-63PH-K	0.099 - 0.027	1.39 x 10 ⁻⁴	0.327	48.62
UPSG1.0-64H-K	0.099 - 0.027	1.48 x 10 ⁻⁴	0.338	61.72	UPSG1.0-64PH-K	0.099 - 0.027	1.47 x 10 ⁻⁴	0.335	49.38
UPSG1.0-65H-K	0.099 - 0.027	1.84 x 10 ⁻⁴	0.401	62.66	UPSG1.0-65PH-K	0.099 - 0.027	1.83 x 10 ⁻⁴	0.397	50.13
UPSG1.0-66H-K	0.099 - 0.027	1.93 x 10 ⁻⁴	0.409	63.60	UPSG1.0-66PH-K	0.099 - 0.027	1.91 x 10 ⁻⁴	0.405	50.88
UPSG1.0-67H-K	0.099 - 0.027	2.02 x 10 ⁻⁴	0.417	64.53	UPSG1.0-67PH-K	0.099 - 0.027	2.00 x 10 ⁻⁴	0.413	51.62
UPSG1.0-68H-K	0.099 - 0.027	2.11 x 10 ⁻⁴	0.425	65.46	UPSG1.0-68PH-K	0.099 - 0.027	2.10 x 10 ⁻⁴	0.422	52.37
UPSG1.0-69H-K	0.099 - 0.027	2.21 x 10 ⁻⁴	0.434	66.39	UPSG1.0-69PH-K	0.099 - 0.027	2.19 x 10 ⁻⁴	0.430	53.11
UPSG1.0-70H-K	0.099 - 0.027	2.32 x 10 ⁻⁴	0.442	67.31	UPSG1.0-70PH-K	0.099 - 0.027	2.30 x 10 ⁻⁴	0.438	53.85
UPSG1.0-72H-K	0.099 - 0.027	2.53 x 10 ⁻⁴	0.460	69.15	UPSG1.0-72PH-K	0.099 - 0.027	2.51 x 10 ⁻⁴	0.456	55.32
UPSG1.0-75H-K	0.099 - 0.027	2.90 x 10 ⁻⁴	0.487	71.87	UPSG1.0-75PH-K	0.099 - 0.027	2.87 x 10 ⁻⁴	0.483	57.49
UPSG1.0-78H-K	0.099 - 0.027	3.31 x 10 ⁻⁴	0.515	74.55	UPSG1.0-78PH-K	0.099 - 0.027	3.28 x 10 ⁻⁴	0.510	59.64
UPSG1.0-80H-K	0.099 - 0.027	3.61 x 10 ⁻⁴	0.534	76.33	UPSG1.0-80PH-K	0.099 - 0.027	3.58 x 10 ⁻⁴	0.530	61.06
UPSG1.0-82H-K	0.101 - 0.025	4.45 x 10 ⁻⁴	0.617	78.08	UPSG1.0-82PH-K	0.101 - 0.025	4.41 x 10 ⁻⁴	0.611	62.46
UPSG1.0-85H-K	0.101 - 0.025	4.99 x 10 ⁻⁴	0.648	80.69	UPSG1.0-85PH-K	0.101 - 0.025	4.94 x 10 ⁻⁴	0.642	64.55
UPSG1.0-88H-K	0.101 - 0.025	5.58 x 10 ⁻⁴	0.680	83.27	UPSG1.0-88PH-K	0.101 - 0.025	5.53 x 10 ⁻⁴	0.674	66.62
UPSG1.0-90H-K	0.101 - 0.025	6.02 x 10 ⁻⁴	0.701	84.97	UPSG1.0-90PH-K	0.101 - 0.025	5.96 x 10 ⁻⁴	0.695	67.97
UPSG1.0-92H-K	0.101 - 0.025	6.48 x 10 ⁻⁴	0.724	86.65	UPSG1.0-92PH-K	0.101 - 0.025	6.42 x 10 ⁻⁴	0.717	69.32
UPSG1.0-95H-K	0.101 - 0.025	8.08 x 10 ⁻⁴	0.838	89.15	UPSG1.0-95PH-K	0.101 - 0.025	8.01 x 10 ⁻⁴	0.831	71.32
UPSG1.0-98H-K	0.101 - 0.025	8.91 x 10 ⁻⁴	0.874	91.61	UPSG1.0-98PH-K	0.101 - 0.025	8.83 x 10 ⁻⁴	0.866	73.29
UPSG1.0-100H-K	0.101 - 0.025	9.50 x 10 ⁻⁴	0.898	93.24	UPSG1.0-100PH-K	0.101 - 0.025	9.42 x 10 ⁻⁴	0.890	74.59
UPSG1.0-110H-K	0.101 - 0.025	1.31 x 10 ⁻³	1.027	101.15	UPSG1.0-110PH-K	0.101 - 0.025	1.29 x 10 ⁻³	1.018	80.92
UPSG1.0-120H-K	0.101 - 0.025	1.90 x 10 ⁻³	1.253	108.70	UPSG1.0-120PH-K	0.101 - 0.025	1.89 x 10 ⁻³	1.242	86.96
UPSG1.0-130H-K	0.127 - 0.037	2.50 x 10 ⁻³	1.407	110.54	UPSG1.0-130PH-K	0.127 - 0.037	2.48 x 10 ⁻³	1.395	88.43
UPSG1.0-150H-K	0.127 - 0.037	4.65 x 10 ⁻³	1.967	121.18	UPSG1.0-150PH-K	0.127 - 0.037	4.61 x 10 ⁻³	1.950	96.94
UPSG1.0-250H-K	0.129 - 0.035	3.50 x 10 ⁻²	5.315	152.38	UPSG1.0-250PH-K	0.129 - 0.035	3.47 x 10 ⁻²	5.268	121.90
UPSG1.0-290H-K	0.169 - 0.051	6.66 x 10 ⁻²	7.483	144.78	UPSG1.0-290PH-K	0.169 - 0.051	6.61 x 10 ⁻²	7.416	115.82

UPSG
1.25m_n

PRECISION GROUND GEARS

1.25 Module Ground Spur Gear α 20° PA

Quality Grade 4f24 DIN 3961/3967



DIN 3967 Tooth Thickness tol.

Part Number		No. of Teeth <i>z</i>	Ref. Dia. <i>d</i>	Tip Dia. <i>d_a</i>	Bore H6 <i>d_j</i>	Keyway DIN 6885-1 <i>K Js9</i>	Max. Bore H6 <i>d_j</i>	Hub Dia. <i>BD</i>
Case Hardened 805M20	Stainless Steel 17-4PH							
UPSG1.25-40H-K	UPSG1.25-40PH-K	40	50.00	52.50	10	3 x 3	24	40
UPSG1.25-41H-K	UPSG1.25-41PH-K	41	51.25	53.75	10	3 x 3	24	40
UPSG1.25-42H-K	UPSG1.25-42PH-K	42	52.50	55.00	10	3 x 3	24	40
UPSG1.25-43H-K	UPSG1.25-43PH-K	43	53.75	56.25	10	3 x 3	24	40
UPSG1.25-44H-K	UPSG1.25-44PH-K	44	55.00	57.50	10	3 x 3	24	40
UPSG1.25-45H-K	UPSG1.25-45PH-K	45	56.25	58.75	10	3 x 3	24	40
UPSG1.25-46H-K	UPSG1.25-46PH-K	46	57.50	60.00	10	3 x 3	24	40
UPSG1.25-47H-K	UPSG1.25-47PH-K	47	58.75	61.25	10	3 x 3	24	40
UPSG1.25-48H-K	UPSG1.25-48PH-K	48	60.00	62.50	10	3 x 3	24	40
UPSG1.25-49H-K	UPSG1.25-49PH-K	49	61.25	63.75	10	3 x 3	24	40
UPSG1.25-50H-K	UPSG1.25-50PH-K	50	62.50	65.00	10	3 x 3	24	40
UPSG1.25-52H-K	UPSG1.25-52PH-K	52	65.00	67.50	10	3 x 3	30	50
UPSG1.25-55H-K	UPSG1.25-55PH-K	55	68.75	71.25	10	3 x 3	30	50
UPSG1.25-58H-K	UPSG1.25-58PH-K	58	72.50	75.00	10	3 x 3	30	50
UPSG1.25-60H-K	UPSG1.25-60PH-K	60	75.00	77.50	10	3 x 3	30	50
UPSG1.25-62H-K	UPSG1.25-62PH-K	62	77.50	80.00	10	3 x 3	30	50
UPSG1.25-65H-K	UPSG1.25-65PH-K	65	81.25	83.75	10	3 x 3	30	50
UPSG1.25-68H-K	UPSG1.25-68PH-K	68	85.00	87.50	12	4 x 4	36	60
UPSG1.25-70H-K	UPSG1.25-70PH-K	70	87.50	90.00	12	4 x 4	36	60
UPSG1.25-72H-K	UPSG1.25-72PH-K	72	90.00	92.50	12	4 x 4	36	60
UPSG1.25-75H-K	UPSG1.25-75PH-K	75	93.75	96.25	12	4 x 4	36	60
UPSG1.25-78H-K	UPSG1.25-78PH-K	78	97.50	100.00	12	4 x 4	40	70
UPSG1.25-80H-K	UPSG1.25-80PH-K	80	100.00	102.50	12	4 x 4	40	70
UPSG1.25-82H-K	UPSG1.25-82PH-K	82	102.50	105.00	12	4 x 4	40	70
UPSG1.25-85H-K	UPSG1.25-85PH-K	85	106.25	108.75	12	4 x 4	40	70
UPSG1.25-88H-K	UPSG1.25-88PH-K	88	110.00	112.50	12	4 x 4	40	70
UPSG1.25-90H-K	UPSG1.25-90PH-K	90	112.50	115.00	12	4 x 4	40	70
UPSG1.25-92H-K	UPSG1.25-92PH-K	92	115.00	117.50	14	5 x 5	48	80
UPSG1.25-95H-K	UPSG1.25-95PH-K	95	118.75	121.25	14	5 x 5	48	80
UPSG1.25-98H-K	UPSG1.25-98PH-K	98	122.50	125.00	14	5 x 5	48	80
UPSG1.25-100H-K	UPSG1.25-100PH-K	100	125.00	127.50	14	5 x 5	48	80
UPSG1.25-110H-K	UPSG1.25-110PH-K	110	137.50	140.00	16	5 x 5	60	100
UPSG1.25-120H-K	UPSG1.25-120PH-K	120	150.00	152.50	16	5 x 5	60	100
UPSG1.25-130H-K	UPSG1.25-130PH-K	130	162.50	165.00	16	5 x 5	60	100
UPSG1.25-150H-K	UPSG1.25-150PH-K	150	187.50	190.00	20	6 x 6	72	120
UPSG1.25-230H-K	UPSG1.25-230PH-K	230	287.50	290.00	36	10 x 8	120	200

UPSG
1.25m_n

PRECISION GROUND GEARS

1.25 Module Ground Spur Gear α 20° PA

Quality Grade 4f24 DIN 3961/3967

Standard Part **UPSG** **1.25** **40** **H** **K**

Modified Part **UPSG** **1.25** **40** **PH** **16** **K**

UPSG - Precision Form Ground Spur Gear
Quality Grade 4f24 DIN 3961/3967
Other Quality Grades available
See Technical

m_n Module - Cut with DIN 867 1.25/0.20/1.0
Ref. Tooth Profile Topping WD = 2.25 x m_n
Ground flanks and root

Number of Teeth **z**

K - Keyway supplied to
DIN 6885 - Js9 tolerance
See Technical

To specify different bore enter size required
Example: 16 = 16mm H6 etc
See Technical

Material H
805M20 Case Hardened 58-62HRC
Material PH
17-4PH Condition H1025, 38-40HRC

Stated keyway size relates to minimum bore.

Other numbers of teeth and tooth tolerances available on request.

Lead crowning (barrelling), profile crowning and other modifications available on request.

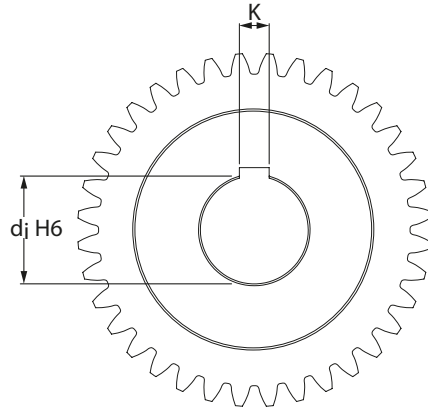
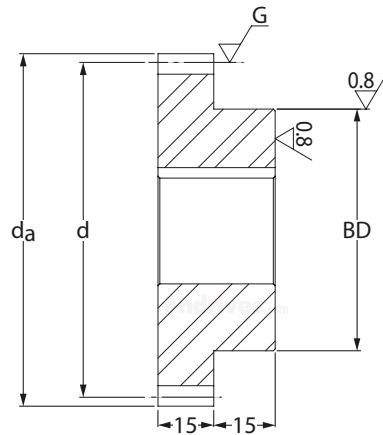
Part Number Case Hardened 805M20	Backlash (mm) j _{t,e} (max) j _{t,i} (min)	Inertia kgm ²	Mass kg	Torque T ₂ Nm n ₂ 100 Rpm	Part Number Stainless Steel 17-4PH	Backlash (mm) j _{t,e} (max) j _{t,i} (min)	Inertia kgm ²	Mass kg	Torque T ₂ Nm n ₂ 100 Rpm
UPSG1.25-40H-K	0.077 - 0.019	8.43 x 10 ⁻⁵	0.299	63.66	JPSG1.25-40PH-K	0.077 - 0.019	8.36 x 10 ⁻⁵	0.296	50.93
UPSG1.25-41H-K	0.099 - 0.027	9.05 x 10 ⁻⁵	0.308	66.20	JPSG1.25-41PH-K	0.099 - 0.027	8.97 x 10 ⁻⁵	0.306	52.96
UPSG1.25-42H-K	0.099 - 0.027	9.72 x 10 ⁻⁵	0.318	70.14	JPSG1.25-42PH-K	0.099 - 0.027	9.63 x 10 ⁻⁵	0.316	56.11
UPSG1.25-43H-K	0.099 - 0.027	1.04 x 10 ⁻⁴	0.329	74.18	JPSG1.25-43PH-K	0.099 - 0.027	1.03 x 10 ⁻⁴	0.326	59.34
UPSG1.25-44H-K	0.099 - 0.027	1.12 x 10 ⁻⁴	0.339	78.37	JPSG1.25-44PH-K	0.099 - 0.027	1.11 x 10 ⁻⁴	0.336	62.70
UPSG1.25-45H-K	0.099 - 0.027	1.20 x 10 ⁻⁴	0.350	82.65	JPSG1.25-45PH-K	0.099 - 0.027	1.19 x 10 ⁻⁴	0.347	66.12
UPSG1.25-46H-K	0.099 - 0.027	1.29 x 10 ⁻⁴	0.361	87.07	JPSG1.25-46PH-K	0.099 - 0.027	1.28 x 10 ⁻⁴	0.357	69.65
UPSG1.25-47H-K	0.099 - 0.027	1.38 x 10 ⁻⁴	0.372	89.07	JPSG1.25-47PH-K	0.099 - 0.027	1.37 x 10 ⁻⁴	0.368	71.26
UPSG1.25-48H-K	0.099 - 0.027	1.48 x 10 ⁻⁴	0.383	91.07	JPSG1.25-48PH-K	0.099 - 0.027	1.47 x 10 ⁻⁴	0.380	72.86
UPSG1.25-49H-K	0.099 - 0.027	1.59 x 10 ⁻⁴	0.395	93.06	JPSG1.25-49PH-K	0.099 - 0.027	1.58 x 10 ⁻⁴	0.391	74.44
UPSG1.25-50H-K	0.099 - 0.027	1.70 x 10 ⁻⁴	0.407	95.03	JPSG1.25-50PH-K	0.099 - 0.027	1.69 x 10 ⁻⁴	0.403	76.02
UPSG1.25-52H-K	0.099 - 0.027	2.31 x 10 ⁻⁴	0.500	98.97	JPSG1.25-52PH-K	0.099 - 0.027	2.29 x 10 ⁻⁴	0.496	79.17
UPSG1.25-55H-K	0.099 - 0.027	2.73 x 10 ⁻⁴	0.539	104.80	JPSG1.25-55PH-K	0.099 - 0.027	2.71 x 10 ⁻⁴	0.534	83.84
UPSG1.25-58H-K	0.099 - 0.027	3.24 x 10 ⁻⁴	0.579	110.55	JPSG1.25-58PH-K	0.099 - 0.027	3.21 x 10 ⁻⁴	0.574	88.44
UPSG1.25-60H-K	0.099 - 0.027	3.62 x 10 ⁻⁴	0.608	114.35	JPSG1.25-60PH-K	0.099 - 0.027	3.59 x 10 ⁻⁴	0.602	91.48
UPSG1.25-62H-K	0.099 - 0.027	4.05 x 10 ⁻⁴	0.637	118.11	JPSG1.25-62PH-K	0.099 - 0.027	4.01 x 10 ⁻⁴	0.631	94.49
UPSG1.25-65H-K	0.101 - 0.025	4.76 x 10 ⁻⁴	0.683	123.70	JPSG1.25-65PH-K	0.101 - 0.025	4.72 x 10 ⁻⁴	0.677	98.96
UPSG1.25-68H-K	0.101 - 0.025	6.23 x 10 ⁻⁴	0.809	129.20	JPSG1.25-68PH-K	0.101 - 0.025	6.18 x 10 ⁻⁴	0.801	103.36
UPSG1.25-70H-K	0.101 - 0.025	6.85 x 10 ⁻⁴	0.842	132.84	JPSG1.25-70PH-K	0.101 - 0.025	6.78 x 10 ⁻⁴	0.834	106.27
UPSG1.25-72H-K	0.101 - 0.025	7.51 x 10 ⁻⁴	0.876	136.44	JPSG1.25-72PH-K	0.101 - 0.025	7.45 x 10 ⁻⁴	0.868	109.15
UPSG1.25-75H-K	0.101 - 0.025	8.63 x 10 ⁻⁴	0.929	141.78	JPSG1.25-75PH-K	0.101 - 0.025	8.55 x 10 ⁻⁴	0.920	113.42
UPSG1.25-78H-K	0.101 - 0.025	1.09 x 10 ⁻³	1.084	147.08	JPSG1.25-78PH-K	0.101 - 0.025	1.08 x 10 ⁻³	1.074	117.66
UPSG1.25-80H-K	0.101 - 0.025	1.19 x 10 ⁻³	1.122	150.52	JPSG1.25-80PH-K	0.101 - 0.025	1.18 x 10 ⁻³	1.112	120.42
UPSG1.25-82H-K	0.101 - 0.025	1.29 x 10 ⁻³	1.161	153.96	JPSG1.25-82PH-K	0.101 - 0.025	1.27 x 10 ⁻³	1.150	123.17
UPSG1.25-85H-K	0.101 - 0.025	1.45 x 10 ⁻³	1.221	159.06	JPSG1.25-85PH-K	0.101 - 0.025	1.44 x 10 ⁻³	1.210	127.25
UPSG1.25-88H-K	0.101 - 0.025	1.63 x 10 ⁻³	1.283	164.10	JPSG1.25-88PH-K	0.101 - 0.025	1.62 x 10 ⁻³	1.272	131.28
UPSG1.25-90H-K	0.101 - 0.025	1.76 x 10 ⁻³	1.326	167.41	JPSG1.25-90PH-K	0.101 - 0.025	1.75 x 10 ⁻³	1.314	133.93
UPSG1.25-92H-K	0.101 - 0.025	2.07 x 10 ⁻³	1.477	170.69	JPSG1.25-92PH-K	0.101 - 0.025	2.05 x 10 ⁻³	1.464	136.55
UPSG1.25-95H-K	0.101 - 0.025	2.30 x 10 ⁻³	1.545	175.56	JPSG1.25-95PH-K	0.101 - 0.025	2.28 x 10 ⁻³	1.531	140.45
UPSG1.25-98H-K	0.103 - 0.023	2.55 x 10 ⁻³	1.614	180.36	JPSG1.25-98PH-K	0.103 - 0.023	2.53 x 10 ⁻³	1.600	144.29
UPSG1.25-100H-K	0.103 - 0.023	2.73 x 10 ⁻³	1.662	183.52	JPSG1.25-100PH-K	0.103 - 0.023	2.71 x 10 ⁻³	1.647	146.82
UPSG1.25-110H-K	0.127 - 0.037	4.38 x 10 ⁻³	2.182	198.50	JPSG1.25-110PH-K	0.127 - 0.037	4.34 x 10 ⁻³	2.163	158.80
UPSG1.25-120H-K	0.127 - 0.037	5.81 x 10 ⁻³	2.459	212.96	JPSG1.25-120PH-K	0.127 - 0.037	5.76 x 10 ⁻³	2.437	170.37
UPSG1.25-130H-K	0.127 - 0.037	7.64 x 10 ⁻³	2.759	226.63	JPSG1.25-130PH-K	0.127 - 0.037	7.57 x 10 ⁻³	2.734	181.30
UPSG1.25-150H-K	0.129 - 0.035	1.38 x 10 ⁻²	3.749	251.56	JPSG1.25-150PH-K	0.129 - 0.035	1.37 x 10 ⁻²	3.716	201.25
UPSG1.25-230H-K	0.169 - 0.051	8.09 x 10 ⁻²	9.240	199.80	JPSG1.25-230PH-K	0.169 - 0.051	8.02 x 10 ⁻²	9.157	159.84

**UPSG
1.5m_n**

PRECISION GROUND GEARS

1.5 Module Ground Spur Gear α 20° PA

Quality Grade 4f24 DIN 3961/3967



DIN 3967 Tooth Thickness tol.

Part Number		No. of Teeth <i>z</i>	Ref. Dia. <i>d</i>	Tip Dia. <i>d_a</i>	Bore H6 <i>d_j</i>	Keyway DIN 6885-1 <i>K Js9</i>	Max. Bore H6 <i>d_j</i>	Hub Dia. <i>BD</i>
Case Hardened 805M20	Stainless Steel 17-4PH							
UPSG1.5-35H-K	UPSG1.5-35PH-K	35	52.5	55.5	10	3 x 3	24	40
UPSG1.5-36H-K	UPSG1.5-36PH-K	36	54.0	57.0	10	3 x 3	24	40
UPSG1.5-37H-K	UPSG1.5-37PH-K	37	55.5	58.5	10	3 x 3	24	40
UPSG1.5-38H-K	UPSG1.5-38PH-K	38	57.0	60.0	10	3 x 3	24	40
UPSG1.5-39H-K	UPSG1.5-39PH-K	39	58.5	61.5	10	3 x 3	24	40
UPSG1.5-40H-K	UPSG1.5-40PH-K	40	60.0	63.0	10	3 x 3	24	40
UPSG1.5-42H-K	UPSG1.5-42PH-K	42	63.0	66.0	10	3 x 3	24	40
UPSG1.5-45H-K	UPSG1.5-45PH-K	45	67.5	70.5	10	3 x 3	30	50
UPSG1.5-48H-K	UPSG1.5-48PH-K	48	72.0	75.0	10	3 x 3	30	50
UPSG1.5-50H-K	UPSG1.5-50PH-K	50	75.0	78.0	10	3 x 3	30	50
UPSG1.5-52H-K	UPSG1.5-52PH-K	52	78.0	81.0	10	3 x 3	30	50
UPSG1.5-55H-K	UPSG1.5-55PH-K	55	82.5	85.5	10	3 x 3	30	50
UPSG1.5-58H-K	UPSG1.5-58PH-K	58	87.0	90.0	12	4 x 4	36	60
UPSG1.5-60H-K	UPSG1.5-60PH-K	60	90.0	93.0	12	4 x 4	36	60
UPSG1.5-62H-K	UPSG1.5-62PH-K	62	93.0	96.0	12	4 x 4	36	60
UPSG1.5-65H-K	UPSG1.5-65PH-K	65	97.5	100.5	12	4 x 4	36	60
UPSG1.5-68H-K	UPSG1.5-68PH-K	68	102.0	105.0	12	4 x 4	40	70
UPSG1.5-70H-K	UPSG1.5-70PH-K	70	105.0	108.0	12	4 x 4	40	70
UPSG1.5-72H-K	UPSG1.5-72PH-K	72	108.0	111.0	12	4 x 4	40	70
UPSG1.5-75H-K	UPSG1.5-75PH-K	75	112.5	115.5	12	4 x 4	40	70
UPSG1.5-78H-K	UPSG1.5-78PH-K	78	117.0	120.0	14	5 x 5	48	80
UPSG1.5-80H-K	UPSG1.5-80PH-K	80	120.0	123.0	14	5 x 5	48	80
UPSG1.5-82H-K	UPSG1.5-82PH-K	82	123.0	126.0	14	5 x 5	48	80
UPSG1.5-85H-K	UPSG1.5-85PH-K	85	127.5	130.5	14	5 x 5	48	80
UPSG1.5-88H-K	UPSG1.5-88PH-K	88	132.0	135.0	14	5 x 5	48	80
UPSG1.5-90H-K	UPSG1.5-90PH-K	90	135.0	138.0	16	5 x 5	60	100
UPSG1.5-92H-K	UPSG1.5-92PH-K	92	138.0	141.0	16	5 x 5	60	100
UPSG1.5-95H-K	UPSG1.5-95PH-K	95	142.5	145.5	16	5 x 5	60	100
UPSG1.5-98H-K	UPSG1.5-98PH-K	98	147.0	150.0	16	5 x 5	60	100
UPSG1.5-100H-K	UPSG1.5-100PH-K	100	150.0	153.0	16	5 x 5	60	100
UPSG1.5-120H-K	UPSG1.5-120PH-K	120	180.0	183.0	20	6 x 6	72	120
UPSG1.5-130H-K	UPSG1.5-130PH-K	130	195.0	198.0	24	8 x 7	80	140
UPSG1.5-150H-K	UPSG1.5-150PH-K	150	225.0	228.0	30	8 x 7	96	160
UPSG1.5-190H-K	UPSG1.5-190PH-K	190	285.0	288.0	36	10 x 8	120	200

UPSG
1.5m_n

PRECISION GROUND GEARS

1.5 Module Ground Spur Gear α 20° PA

Quality Grade 4f24 DIN 3961/3967

Standard Part **UPSG** **1.5** **40** **H** **K**

Modified Part **UPSG** **1.5** **40** **PH** **18** **K**

UPSG - Precision Form Ground Spur Gear
Quality Grade 4f24 DIN 3961/3967
Other Quality Grades available
See Technical

m_n Module - Cut with DIN 867 1.25/0.20/1.0
Ref. Tooth Profile Topping WD = 2.25 x m_n
Ground flanks and root

Number of Teeth **z**

K - Keyway supplied to
DIN 6885 - Js9 tolerance
See Technical

To specify different bore enter size required
Example: 18 = 18mm H6 etc
See Technical

Material H
805M20 Case Hardened 58-62HRc
Material PH
17-4PH Condition H1025, 38-40HRc

Stated keyway size relates to minimum bore.

Other numbers of teeth and tooth tolerances available on request.

Lead crowning (barrelling), profile crowning and other modifications available on request.

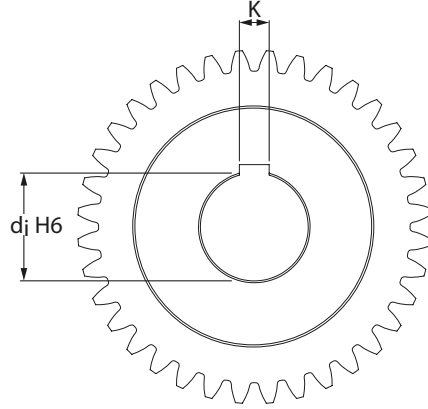
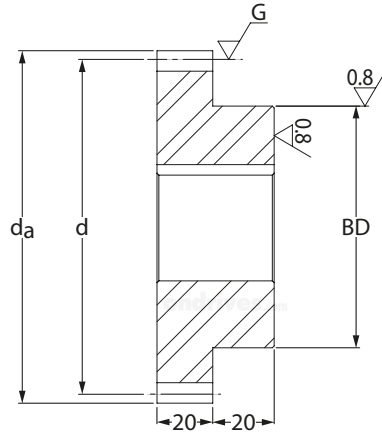
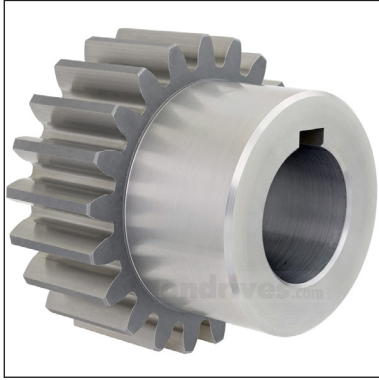
Part Number Case Hardened 805M20	Backlash (mm) j _{t,e} (max) j _{t,i} (min)	Inertia kgm ²	Mass kg	Torque T ₂ Nm n ₂ 100 Rpm	Part Number Stainless Steel 17-4PH	Backlash (mm) j _{t,e} (max) j _{t,i} (min)	Inertia kgm ²	Mass kg	Torque T ₂ Nm n ₂ 100 Rpm
UPSG1.5-35H-K	0.099 - 0.027	1.17 x 10 ⁻⁴	0.382	83.30	UPSG1.5-35PH-K	0.099 - 0.027	1.16 x 10 ⁻⁴	0.378	66.64
UPSG1.5-36H-K	0.099 - 0.027	1.27 x 10 ⁻⁴	0.396	89.13	UPSG1.5-36PH-K	0.099 - 0.027	1.26 x 10 ⁻⁴	0.393	71.30
UPSG1.5-37H-K	0.099 - 0.027	1.39 x 10 ⁻⁴	0.412	95.16	UPSG1.5-37PH-K	0.099 - 0.027	1.37 x 10 ⁻⁴	0.408	76.13
UPSG1.5-38H-K	0.099 - 0.027	1.51 x 10 ⁻⁴	0.427	101.40	UPSG1.5-38PH-K	0.099 - 0.027	1.49 x 10 ⁻⁴	0.423	81.12
UPSG1.5-39H-K	0.099 - 0.027	1.64 x 10 ⁻⁴	0.443	107.85	UPSG1.5-39PH-K	0.099 - 0.027	1.63 x 10 ⁻⁴	0.439	86.28
UPSG1.5-40H-K	0.099 - 0.027	1.78 x 10 ⁻⁴	0.459	114.50	UPSG1.5-40PH-K	0.099 - 0.027	1.77 x 10 ⁻⁴	0.455	91.60
UPSG1.5-42H-K	0.099 - 0.027	2.10 x 10 ⁻⁴	0.493	128.45	UPSG1.5-42PH-K	0.099 - 0.027	2.08 x 10 ⁻⁴	0.489	102.76
UPSG1.5-45H-K	0.099 - 0.027	3.10 x 10 ⁻⁴	0.630	149.81	UPSG1.5-45PH-K	0.099 - 0.027	3.08 x 10 ⁻⁴	0.625	119.85
UPSG1.5-48H-K	0.099 - 0.027	3.80 x 10 ⁻⁴	0.688	160.27	UPSG1.5-48PH-K	0.099 - 0.027	3.77 x 10 ⁻⁴	0.682	128.22
UPSG1.5-50H-K	0.099 - 0.027	4.35 x 10 ⁻⁴	0.729	167.17	UPSG1.5-50PH-K	0.099 - 0.027	4.31 x 10 ⁻⁴	0.722	133.74
UPSG1.5-52H-K	0.099 - 0.027	4.97 x 10 ⁻⁴	0.771	174.01	UPSG1.5-52PH-K	0.099 - 0.027	4.92 x 10 ⁻⁴	0.764	139.21
UPSG1.5-55H-K	0.101 - 0.025	6.03 x 10 ⁻⁴	0.837	184.16	UPSG1.5-55PH-K	0.101 - 0.025	5.98 x 10 ⁻⁴	0.830	147.33
UPSG1.5-58H-K	0.101 - 0.025	8.06 x 10 ⁻⁴	1.001	194.18	UPSG1.5-58PH-K	0.101 - 0.025	7.99 x 10 ⁻⁴	0.992	155.34
UPSG1.5-60H-K	0.101 - 0.025	9.02 x 10 ⁻⁴	1.050	200.78	UPSG1.5-60PH-K	0.101 - 0.025	8.94 x 10 ⁻⁴	1.041	160.62
UPSG1.5-62H-K	0.101 - 0.025	1.01 x 10 ⁻³	1.101	207.33	UPSG1.5-62PH-K	0.101 - 0.025	9.98 x 10 ⁻⁴	1.091	165.86
UPSG1.5-65H-K	0.101 - 0.025	1.19 x 10 ⁻³	1.180	217.04	UPSG1.5-65PH-K	0.101 - 0.025	1.17 x 10 ⁻³	1.169	173.63
UPSG1.5-68H-K	0.101 - 0.025	1.52 x 10 ⁻³	1.383	226.62	UPSG1.5-68PH-K	0.101 - 0.025	1.50 x 10 ⁻³	1.370	181.30
UPSG1.5-70H-K	0.101 - 0.025	1.67 x 10 ⁻³	1.440	232.94	UPSG1.5-70PH-K	0.101 - 0.025	1.66 x 10 ⁻³	1.427	186.35
UPSG1.5-72H-K	0.101 - 0.025	1.84 x 10 ⁻³	1.499	239.20	UPSG1.5-72PH-K	0.101 - 0.025	1.82 x 10 ⁻³	1.485	191.36
UPSG1.5-75H-K	0.101 - 0.025	2.11 x 10 ⁻³	1.590	248.49	UPSG1.5-75PH-K	0.101 - 0.025	2.10 x 10 ⁻³	1.576	198.79
UPSG1.5-78H-K	0.101 - 0.025	2.62 x 10 ⁻³	1.815	257.64	UPSG1.5-78PH-K	0.101 - 0.025	2.60 x 10 ⁻³	1.798	206.11
UPSG1.5-80H-K	0.101 - 0.025	2.85 x 10 ⁻³	1.880	263.68	UPSG1.5-80PH-K	0.101 - 0.025	2.83 x 10 ⁻³	1.863	210.94
UPSG1.5-82H-K	0.103 - 0.023	3.10 x 10 ⁻³	1.947	269.64	UPSG1.5-82PH-K	0.103 - 0.023	3.07 x 10 ⁻³	1.930	215.71
UPSG1.5-85H-K	0.127 - 0.037	3.50 x 10 ⁻³	2.051	278.22	UPSG1.5-85PH-K	0.127 - 0.037	3.47 x 10 ⁻³	2.033	222.58
UPSG1.5-88H-K	0.127 - 0.037	3.96 x 10 ⁻³	2.159	286.90	UPSG1.5-88PH-K	0.127 - 0.037	3.92 x 10 ⁻³	2.140	229.52
UPSG1.5-90H-K	0.127 - 0.037	4.97 x 10 ⁻³	2.555	292.63	UPSG1.5-90PH-K	0.127 - 0.037	4.92 x 10 ⁻³	2.532	234.10
UPSG1.5-92H-K	0.127 - 0.037	5.32 x 10 ⁻³	2.630	298.30	UPSG1.5-92PH-K	0.127 - 0.037	5.27 x 10 ⁻³	2.607	238.64
UPSG1.5-95H-K	0.127 - 0.037	5.89 x 10 ⁻³	2.747	306.70	UPSG1.5-95PH-K	0.127 - 0.037	5.83 x 10 ⁻³	2.722	245.36
UPSG1.5-98H-K	0.127 - 0.037	6.51 x 10 ⁻³	2.867	314.97	UPSG1.5-98PH-K	0.127 - 0.037	6.46 x 10 ⁻³	2.841	251.98
UPSG1.5-100H-K	0.127 - 0.037	6.97 x 10 ⁻³	2.949	319.75	UPSG1.5-100PH-K	0.127 - 0.037	6.90 x 10 ⁻³	2.923	255.80
UPSG1.5-120H-K	0.127 - 0.037	1.45 x 10 ⁻²	4.243	370.86	UPSG1.5-120PH-K	0.127 - 0.037	1.43 x 10 ⁻²	4.205	296.69
UPSG1.5-130H-K	0.129 - 0.035	2.10 x 10 ⁻²	5.210	394.23	UPSG1.5-130PH-K	0.129 - 0.035	2.09 x 10 ⁻²	5.164	315.38
UPSG1.5-150H-K	0.129 - 0.035	3.70 x 10 ⁻²	6.868	436.55	UPSG1.5-150PH-K	0.129 - 0.035	3.67 x 10 ⁻²	6.807	349.24
UPSG1.5-190H-K	0.169 - 0.051	9.44 x 10 ⁻²	10.953	497.88	UPSG1.5-190PH-K	0.169 - 0.051	9.35 x 10 ⁻²	10.855	398.30

**UPSG
2.0m_n**

PRECISION GROUND GEARS

2.0 Module Ground Spur Gear α 20° PA

Quality Grade 4f24 DIN 3961/3967



DIN 3967 Tooth Thickness tol.

Part Number		No. of Teeth <i>z</i>	Ref. Dia. <i>d</i>	Tip Dia. <i>d_a</i>	Bore H6 <i>d_j</i>	Keyway DIN 6885-1 <i>K Js9</i>	Max. Bore H6 <i>d_j</i>	Hub Dia. <i>BD</i>
Case Hardened 805M20	Stainless Steel 17-4PH							
UPSG2.0-28H-K	UPSG2.0-28PH-K	28	56	60	10	3 x 3	24	40
UPSG2.0-29H-K	UPSG2.0-29PH-K	29	58	62	10	3 x 3	24	40
UPSG2.0-30H-K	UPSG2.0-30PH-K	30	60	64	10	3 x 3	24	40
UPSG2.0-32H-K	UPSG2.0-32PH-K	32	64	68	10	3 x 3	24	40
UPSG2.0-35H-K	UPSG2.0-35PH-K	35	70	74	10	3 x 3	24	40
UPSG2.0-38H-K	UPSG2.0-38PH-K	38	76	80	10	3 x 3	30	50
UPSG2.0-40H-K	UPSG2.0-40PH-K	40	80	84	10	3 x 3	30	50
UPSG2.0-42H-K	UPSG2.0-42PH-K	42	84	88	10	3 x 3	30	50
UPSG2.0-45H-K	UPSG2.0-45PH-K	45	90	94	12	4 x 4	36	60
UPSG2.0-48H-K	UPSG2.0-48PH-K	48	96	100	12	4 x 4	36	60
UPSG2.0-50H-K	UPSG2.0-50PH-K	50	100	104	12	4 x 4	36	60
UPSG2.0-52H-K	UPSG2.0-52PH-K	52	104	108	12	4 x 4	40	70
UPSG2.0-55H-K	UPSG2.0-55PH-K	55	110	114	12	4 x 4	40	70
UPSG2.0-58H-K	UPSG2.0-58PH-K	58	116	120	12	4 x 4	40	70
UPSG2.0-60H-K	UPSG2.0-60PH-K	60	120	124	14	5 x 5	48	80
UPSG2.0-62H-K	UPSG2.0-62PH-K	62	124	128	14	5 x 5	48	80
UPSG2.0-65H-K	UPSG2.0-65PH-K	65	130	134	14	5 x 5	48	80
UPSG2.0-68H-K	UPSG2.0-68PH-K	68	136	140	14	5 x 5	48	80
UPSG2.0-70H-K	UPSG2.0-70PH-K	70	140	144	16	5 x 5	60	100
UPSG2.0-72H-K	UPSG2.0-72PH-K	72	144	148	16	5 x 5	60	100
UPSG2.0-75H-K	UPSG2.0-75PH-K	75	150	154	16	5 x 5	60	100
UPSG2.0-78H-K	UPSG2.0-78PH-K	78	156	160	16	5 x 5	60	100
UPSG2.0-80H-K	UPSG2.0-80PH-K	80	160	164	16	5 x 5	60	100
UPSG2.0-82H-K	UPSG2.0-82PH-K	82	164	168	16	5 x 5	60	100
UPSG2.0-85H-K	UPSG2.0-85PH-K	85	170	174	20	6 x 6	72	120
UPSG2.0-88H-K	UPSG2.0-88PH-K	88	176	180	20	6 x 6	72	120
UPSG2.0-90H-K	UPSG2.0-90PH-K	90	180	184	20	6 x 6	72	120
UPSG2.0-92H-K	UPSG2.0-92PH-K	92	184	188	20	6 x 6	72	120
UPSG2.0-95H-K	UPSG2.0-95PH-K	95	190	194	24	8 x 7	80	140
UPSG2.0-98H-K	UPSG2.0-98PH-K	98	196	200	24	8 x 7	80	140
UPSG2.0-100H-K	UPSG2.0-100PH-K	100	200	204	24	8 x 7	80	140
UPSG2.0-110H-K	UPSG2.0-110PH-K	110	220	224	30	8 x 7	96	160
UPSG2.0-120H-K	UPSG2.0-120PH-K	120	240	244	30	8 x 7	96	160
UPSG2.0-130H-K	UPSG2.0-130PH-K	130	260	264	32	10 x 8	108	180

**UPSG
2.0m_n**

PRECISION GROUND GEARS

2.0 Module Ground Spur Gear α 20° PA

Quality Grade 4f24 DIN 3961/3967

Standard Part **UPSG** **2.0** **40** **H** **K**

Modified Part **UPSG** **2.0** **40** **PH** **25** **K**

UPSG - Precision Form Ground Spur Gear
Quality Grade 4f24 DIN 3961/3967
Other Quality Grades available
See Technical

m_n Module - Cut with DIN 867 1.25/0.20/1.0
Ref. Tooth Profile Topping WD = 2.25 x m_n
Ground flanks and root

Number of Teeth **z**

K - Keyway supplied to
DIN 6885 - Js9 tolerance
See Technical

To specify different bore enter size required
Example: 25 = 25mm H6 etc
See Technical

Material H
805M20 Case Hardened 58-62HRC
Material PH
17-4PH Condition H1025, 38-40HRC

Stated keyway size relates to minimum bore.

Other numbers of teeth and tooth tolerances available on request.

Lead crowning (barrelling), profile crowning and other modifications available on request.

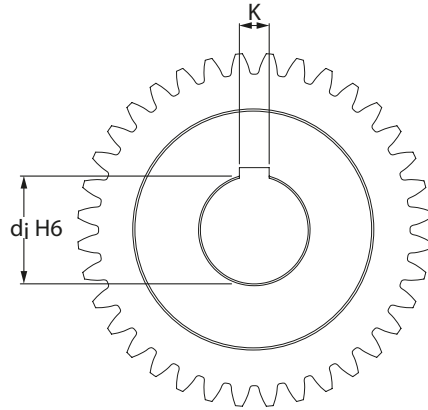
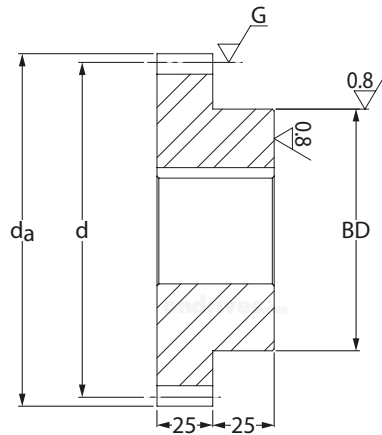
Part Number Case Hardened 805M20	Backlash (mm) <i>j_{t,e}(max) j_{t,i}(min)</i>	Inertia <i>kgm²</i>	Mass <i>kg</i>	Torque <i>T₂ Nm</i> <i>n₂100 Rpm</i>	Part Number Stainless Steel 17-4PH	Backlash (mm) <i>j_{t,e}(max) j_{t,i}(min)</i>	Inertia <i>kgm²</i>	Mass <i>kg</i>	Torque <i>T₂ Nm</i> <i>n₂100 Rpm</i>
UPSG2.0-28H-K	0.099 - 0.027	1.91 x 10 ⁻⁴	0.555	125.25	UPSG2.0-28PH-K	0.099 - 0.027	1.89 x 10 ⁻⁴	0.550	100.20
UPSG2.0-29H-K	0.099 - 0.027	2.14 x 10 ⁻⁴	0.583	136.28	UPSG2.0-29PH-K	0.099 - 0.027	2.12 x 10 ⁻⁴	0.578	109.02
UPSG2.0-30H-K	0.099 - 0.027	2.39 x 10 ⁻⁴	0.612	147.80	UPSG2.0-30PH-K	0.099 - 0.027	2.37 x 10 ⁻⁴	0.606	118.24
UPSG2.0-32H-K	0.099 - 0.027	2.97 x 10 ⁻⁴	0.672	172.33	UPSG2.0-32PH-K	0.099 - 0.027	2.95 x 10 ⁻⁴	0.666	137.86
UPSG2.0-35H-K	0.099 - 0.027	4.08 x 10 ⁻⁴	0.771	211.85	UPSG2.0-35PH-K	0.099 - 0.027	4.04 x 10 ⁻⁴	0.764	169.48
UPSG2.0-38H-K	0.099 - 0.027	6.08 x 10 ⁻⁴	0.989	254.05	UPSG2.0-38PH-K	0.099 - 0.027	6.02 x 10 ⁻⁴	0.980	203.24
UPSG2.0-40H-K	0.099 - 0.027	7.24 x 10 ⁻⁴	1.065	283.90	UPSG2.0-40PH-K	0.099 - 0.027	7.17 x 10 ⁻⁴	1.056	227.12
UPSG2.0-42H-K	0.101 - 0.025	8.58 x 10 ⁻⁴	1.146	315.50	UPSG2.0-42PH-K	0.101 - 0.025	8.51 x 10 ⁻⁴	1.136	252.40
UPSG2.0-45H-K	0.101 - 0.025	1.20 x 10 ⁻³	1.399	356.05	UPSG2.0-45PH-K	0.101 - 0.025	1.19 x 10 ⁻³	1.386	284.84
UPSG2.0-48H-K	0.101 - 0.025	1.50 x 10 ⁻³	1.535	380.92	UPSG2.0-48PH-K	0.101 - 0.025	1.48 x 10 ⁻³	1.522	304.74
UPSG2.0-50H-K	0.101 - 0.025	1.73 x 10 ⁻³	1.632	397.33	UPSG2.0-50PH-K	0.101 - 0.025	1.71 x 10 ⁻³	1.617	317.86
UPSG2.0-52H-K	0.101 - 0.025	2.16 x 10 ⁻³	1.892	413.58	UPSG2.0-52PH-K	0.101 - 0.025	2.14 x 10 ⁻³	1.875	330.86
UPSG2.0-55H-K	0.101 - 0.025	2.61 x 10 ⁻³	2.050	437.68	UPSG2.0-55PH-K	0.101 - 0.025	2.58 x 10 ⁻³	2.031	350.14
UPSG2.0-58H-K	0.101 - 0.025	3.14 x 10 ⁻³	2.216	461.45	UPSG2.0-58PH-K	0.101 - 0.025	3.11 x 10 ⁻³	2.196	369.16
UPSG2.0-60H-K	0.101 - 0.025	3.80 x 10 ⁻³	2.504	477.10	UPSG2.0-60PH-K	0.101 - 0.025	3.77 x 10 ⁻³	2.482	381.68
UPSG2.0-62H-K	0.103 - 0.023	4.24 x 10 ⁻³	2.624	492.60	UPSG2.0-62PH-K	0.103 - 0.023	4.21 x 10 ⁻³	2.601	394.08
UPSG2.0-65H-K	0.127 - 0.037	5.00 x 10 ⁻³	2.811	515.27	UPSG2.0-65PH-K	0.127 - 0.037	4.95 x 10 ⁻³	2.786	412.22
UPSG2.0-68H-K	0.127 - 0.037	5.86 x 10 ⁻³	3.007	537.85	UPSG2.0-68PH-K	0.127 - 0.037	5.81 x 10 ⁻³	2.980	430.28
UPSG2.0-70H-K	0.127 - 0.037	7.41 x 10 ⁻³	3.572	552.75	UPSG2.0-70PH-K	0.127 - 0.037	7.35 x 10 ⁻³	3.540	442.20
UPSG2.0-72H-K	0.127 - 0.037	8.11 x 10 ⁻³	3.712	567.45	UPSG2.0-72PH-K	0.127 - 0.037	8.04 x 10 ⁻³	3.679	453.96
UPSG2.0-75H-K	0.127 - 0.037	9.28 x 10 ⁻³	3.928	589.25	UPSG2.0-75PH-K	0.127 - 0.037	9.20 x 10 ⁻³	3.893	471.40
UPSG2.0-78H-K	0.127 - 0.037	1.06 x 10 ⁻²	4.154	610.70	UPSG2.0-78PH-K	0.127 - 0.037	1.05 x 10 ⁻²	4.117	488.56
UPSG2.0-80H-K	0.127 - 0.037	1.16 x 10 ⁻²	4.309	624.85	UPSG2.0-80PH-K	0.127 - 0.037	1.15 x 10 ⁻²	4.271	499.88
UPSG2.0-82H-K	0.127 - 0.037	1.26 x 10 ⁻²	4.469	638.80	UPSG2.0-82PH-K	0.127 - 0.037	1.25 x 10 ⁻²	4.429	511.04
UPSG2.0-85H-K	0.127 - 0.037	1.60 x 10 ⁻²	5.222	659.46	UPSG2.0-85PH-K	0.127 - 0.037	1.58 x 10 ⁻²	5.176	527.57
UPSG2.0-88H-K	0.127 - 0.037	1.79 x 10 ⁻²	5.477	679.79	UPSG2.0-88PH-K	0.127 - 0.037	1.77 x 10 ⁻²	5.429	543.83
UPSG2.0-90H-K	0.127 - 0.037	1.93 x 10 ⁻²	5.652	693.10	UPSG2.0-90PH-K	0.127 - 0.037	1.91 x 10 ⁻²	5.602	554.48
UPSG2.0-92H-K	0.129 - 0.035	2.07 x 10 ⁻²	5.832	706.27	UPSG2.0-92PH-K	0.129 - 0.035	2.05 x 10 ⁻²	5.780	565.02
UPSG2.0-95H-K	0.129 - 0.035	2.59 x 10 ⁻²	6.705	725.80	UPSG2.0-95PH-K	0.129 - 0.035	2.56 x 10 ⁻²	6.645	580.64
UPSG2.0-98H-K	0.129 - 0.035	2.85 x 10 ⁻²	6.990	744.95	UPSG2.0-98PH-K	0.129 - 0.035	2.82 x 10 ⁻²	6.928	595.96
UPSG2.0-100H-K	0.129 - 0.035	3.04 x 10 ⁻²	7.185	757.55	UPSG2.0-100PH-K	0.129 - 0.035	3.01 x 10 ⁻²	7.121	606.04
UPSG2.0-110H-K	0.129 - 0.035	4.59 x 10 ⁻²	8.878	818.10	UPSG2.0-110PH-K	0.129 - 0.035	4.55 x 10 ⁻²	8.799	654.48
UPSG2.0-120H-K	0.129 - 0.035	6.09 x 10 ⁻²	10.010	874.33	UPSG2.0-120PH-K	0.129 - 0.035	6.04 x 10 ⁻²	9.921	699.46
UPSG2.0-130H-K	0.131 - 0.033	8.62 x 10 ⁻²	12.049	926.60	UPSG2.0-130PH-K	0.131 - 0.033	8.54 x 10 ⁻²	11.941	741.28

**UPSG
2.5m_n**

PRECISION GROUND GEARS

2.5 Module Ground Spur Gear α 20° PA

Quality Grade 4f24 DIN 3961/3967



DIN 3967 Tooth Thickness tol.

Part Number		No. of Teeth <i>z</i>	Ref. Dia. <i>d</i>	Tip Dia. <i>d_a</i>	Bore H6 <i>d_j</i>	Keyway DIN 6885-1 <i>K Js9</i>	Max. Bore H6 <i>d_j</i>	Hub Dia. <i>BD</i>
Case Hardened 805M20	Stainless Steel 17-4PH							
UPSG2.5-24H-K	UPSG2.5-24PH-K	24	60.0	65.0	10	3 x 3	24	40
UPSG2.5-25H-K	UPSG2.5-25PH-K	25	62.5	67.5	10	3 x 3	24	40
UPSG2.5-26H-K	UPSG2.5-26PH-K	26	65.0	70.0	10	3 x 3	24	40
UPSG2.5-27H-K	UPSG2.5-27PH-K	27	67.5	72.5	10	3 x 3	24	40
UPSG2.5-28H-K	UPSG2.5-28PH-K	28	70.0	75.0	10	3 x 3	24	40
UPSG2.5-29H-K	UPSG2.5-29PH-K	29	72.5	77.5	10	3 x 3	30	50
UPSG2.5-30H-K	UPSG2.5-30PH-K	30	75.0	80.0	10	3 x 3	30	50
UPSG2.5-32H-K	UPSG2.5-32PH-K	32	80.0	85.0	10	3 x 3	30	50
UPSG2.5-35H-K	UPSG2.5-35PH-K	35	87.5	92.5	10	3 x 3	30	50
UPSG2.5-38H-K	UPSG2.5-38PH-K	38	95.0	100.0	12	4 x 4	36	60
UPSG2.5-40H-K	UPSG2.5-40PH-K	40	100.0	105.0	12	4 x 4	36	60
UPSG2.5-42H-K	UPSG2.5-42PH-K	42	105.0	110.0	12	4 x 4	40	70
UPSG2.5-45H-K	UPSG2.5-45PH-K	45	112.5	117.5	12	4 x 4	40	70
UPSG2.5-48H-K	UPSG2.5-48PH-K	48	120.0	125.0	14	5 x 5	48	80
UPSG2.5-50H-K	UPSG2.5-50PH-K	50	125.0	130.0	14	5 x 5	48	80
UPSG2.5-52H-K	UPSG2.5-52PH-K	52	130.0	135.0	14	5 x 5	48	80
UPSG2.5-55H-K	UPSG2.5-55PH-K	55	137.5	142.5	14	5 x 5	48	80
UPSG2.5-58H-K	UPSG2.5-58PH-K	58	145.0	150.0	16	5 x 5	60	100
UPSG2.5-60H-K	UPSG2.5-60PH-K	60	150.0	155.0	16	5 x 5	60	100
UPSG2.5-62H-K	UPSG2.5-62PH-K	62	155.0	160.0	16	5 x 5	60	100
UPSG2.5-65H-K	UPSG2.5-65PH-K	65	162.5	167.5	16	5 x 5	60	100
UPSG2.5-68H-K	UPSG2.5-68PH-K	68	170.0	175.0	16	5 x 5	60	100
UPSG2.5-70H-K	UPSG2.5-70PH-K	70	175.0	180.0	16	5 x 5	60	100
UPSG2.5-72H-K	UPSG2.5-72PH-K	72	180.0	185.0	20	6 x 6	72	120
UPSG2.5-75H-K	UPSG2.5-75PH-K	75	187.5	192.5	20	6 x 6	72	120
UPSG2.5-78H-K	UPSG2.5-78PH-K	78	195.0	200.0	20	6 x 6	72	120
UPSG2.5-80H-K	UPSG2.5-80PH-K	80	200.0	205.0	24	8 x 7	80	140
UPSG2.5-82H-K	UPSG2.5-82PH-K	82	205.0	210.0	24	8 x 7	80	140
UPSG2.5-85H-K	UPSG2.5-85PH-K	85	212.5	217.5	24	8 x 7	80	140
UPSG2.5-88H-K	UPSG2.5-88PH-K	88	220.0	225.0	30	8 x 7	96	160
UPSG2.5-90H-K	UPSG2.5-90PH-K	90	225.0	230.0	30	8 x 7	96	160
UPSG2.5-92H-K	UPSG2.5-92PH-K	92	230.0	235.0	30	8 x 7	96	160
UPSG2.5-95H-K	UPSG2.5-95PH-K	95	237.5	242.5	30	8 x 7	96	160
UPSG2.5-98H-K	UPSG2.5-98PH-K	98	245.0	250.0	30	8 x 7	96	160

UPSG
2.5m_n

PRECISION GROUND GEARS

2.5 Module Ground Spur Gear α 20° PA

Quality Grade 4f24 DIN 3961/3967

Standard Part **UPSG** **2.5** **40** **H** **K**

Modified Part **UPSG** **2.5** **40** **PH** **25** **K**

UPSG - Precision Form Ground Spur Gear
Quality Grade 4f24 DIN 3961/3967
Other Quality Grades available
See Technical

m_n Module - Cut with DIN 867 1.25/0.20/1.0
Ref. Tooth Profile Topping WD = 2.25 x m_n
Ground flanks and root

Number of Teeth **z**

K - Keyway supplied to
DIN 6885 - Js9 tolerance
See Technical

To specify different bore enter size required
Example: 25 = 25mm H6 etc
See Technical

Material H
805M20 Case Hardened 58-62Hrc
Material PH
17-4PH Condition H1025, 38-40Hrc

Stated keyway size relates to minimum bore.

Other numbers of teeth and tooth tolerances available on request.

Lead crowning (barrelling), profile crowning and other modifications available on request.

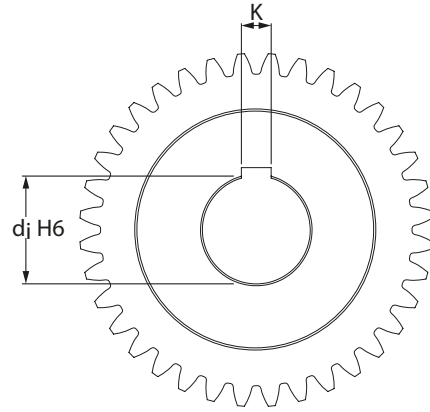
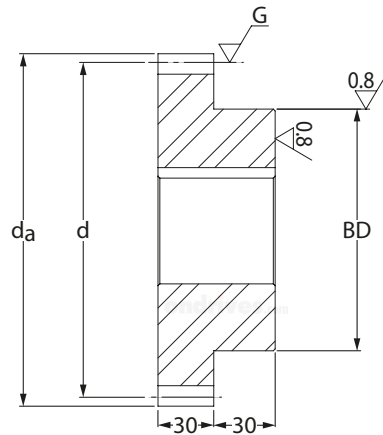
Part Number Case Hardened 805M20	Backlash (mm) <i>j_{t,e}(max) j_{t,i}(min)</i>	Inertia <i>kgm²</i>	Mass <i>kg</i>	Torque <i>T₂ Nm</i> <i>n₂100 Rpm</i>	Part Number Stainless Steel 17-4PH	Backlash (mm) <i>j_{t,e}(max) j_{t,i}(min)</i>	Inertia <i>kgm²</i>	Mass <i>kg</i>	Torque <i>T₂ Nm</i> <i>n₂100 Rpm</i>
UPSG2.5-24H-K	0.099 - 0.027	3.01 x 10 ⁻⁴	0.764	175.8	UPSG2.5-24PH-K	0.099 - 0.027	2.99 x 10 ⁻⁴	0.757	140.6
UPSG2.5-25H-K	0.099 - 0.027	3.45 x 10 ⁻⁴	0.811	194.2	UPSG2.5-25PH-K	0.099 - 0.027	3.42 x 10 ⁻⁴	0.804	155.4
UPSG2.5-26H-K	0.099 - 0.027	3.95 x 10 ⁻⁴	0.859	213.6	UPSG2.5-26PH-K	0.099 - 0.027	3.91 x 10 ⁻⁴	0.852	170.8
UPSG2.5-27H-K	0.099 - 0.027	4.51 x 10 ⁻⁴	0.910	233.8	UPSG2.5-27PH-K	0.099 - 0.027	4.47 x 10 ⁻⁴	0.902	187.0
UPSG2.5-28H-K	0.099 - 0.027	5.13 x 10 ⁻⁴	0.962	255.1	UPSG2.5-28PH-K	0.099 - 0.027	5.08 x 10 ⁻⁴	0.954	204.1
UPSG2.5-29H-K	0.099 - 0.027	6.53 x 10 ⁻⁴	1.156	277.3	UPSG2.5-29PH-K	0.099 - 0.027	6.47 x 10 ⁻⁴	1.145	221.8
UPSG2.5-30H-K	0.099 - 0.027	7.30 x 10 ⁻⁴	1.212	300.4	UPSG2.5-30PH-K	0.099 - 0.027	7.23 x 10 ⁻⁴	1.201	240.3
UPSG2.5-32H-K	0.099 - 0.027	9.08 x 10 ⁻⁴	1.330	347.0	UPSG2.5-32PH-K	0.099 - 0.027	9.00 x 10 ⁻⁴	1.319	277.6
UPSG2.5-35H-K	0.101 - 0.025	1.25 x 10 ⁻³	1.523	422.0	UPSG2.5-35PH-K	0.101 - 0.025	1.23 x 10 ⁻³	1.509	337.6
UPSG2.5-38H-K	0.101 - 0.025	1.81 x 10 ⁻³	1.888	504.5	UPSG2.5-38PH-K	0.101 - 0.025	1.79 x 10 ⁻³	1.871	403.6
UPSG2.5-40H-K	0.101 - 0.025	2.16 x 10 ⁻³	2.038	563.7	UPSG2.5-40PH-K	0.101 - 0.025	2.14 x 10 ⁻³	2.019	451.0
UPSG2.5-42H-K	0.101 - 0.025	2.79 x 10 ⁻³	2.395	626.3	UPSG2.5-42PH-K	0.101 - 0.025	2.76 x 10 ⁻³	2.374	501.0
UPSG2.5-45H-K	0.101 - 0.025	3.53 x 10 ⁻³	2.645	692.4	UPSG2.5-45PH-K	0.101 - 0.025	3.49 x 10 ⁻³	2.621	553.9
UPSG2.5-48H-K	0.101 - 0.025	4.75 x 10 ⁻³	3.127	740.4	UPSG2.5-48PH-K	0.101 - 0.025	4.71 x 10 ⁻³	3.100	592.3
UPSG2.5-50H-K	0.103 - 0.023	5.45 x 10 ⁻³	3.315	771.9	UPSG2.5-50PH-K	0.103 - 0.023	5.41 x 10 ⁻³	3.286	617.5
UPSG2.5-52H-K	0.127 - 0.037	6.25 x 10 ⁻³	3.511	803.2	UPSG2.5-52PH-K	0.127 - 0.037	6.19 x 10 ⁻³	3.479	642.6
UPSG2.5-55H-K	0.127 - 0.037	7.62 x 10 ⁻³	3.819	849.5	UPSG2.5-55PH-K	0.127 - 0.037	7.55 x 10 ⁻³	3.785	679.6
UPSG2.5-58H-K	0.127 - 0.037	1.04 x 10 ⁻²	4.680	895.0	UPSG2.5-58PH-K	0.127 - 0.037	1.03 x 10 ⁻²	4.638	716.0
UPSG2.5-60H-K	0.127 - 0.037	1.16 x 10 ⁻²	4.906	924.9	UPSG2.5-60PH-K	0.127 - 0.037	1.15 x 10 ⁻²	4.863	739.9
UPSG2.5-62H-K	0.127 - 0.037	1.30 x 10 ⁻²	5.141	954.5	UPSG2.5-62PH-K	0.127 - 0.037	1.28 x 10 ⁻²	5.095	763.6
UPSG2.5-65H-K	0.127 - 0.037	1.52 x 10 ⁻²	5.506	998.3	UPSG2.5-65PH-K	0.127 - 0.037	1.51 x 10 ⁻²	5.457	798.6
UPSG2.5-68H-K	0.127 - 0.037	1.79 x 10 ⁻²	5.889	1,041.3	UPSG2.5-68PH-K	0.127 - 0.037	1.77 x 10 ⁻²	5.837	833.0
UPSG2.5-70H-K	0.127 - 0.037	1.98 x 10 ⁻²	6.154	1,069.6	UPSG2.5-70PH-K	0.127 - 0.037	1.97 x 10 ⁻²	6.099	855.6
UPSG2.5-72H-K	0.127 - 0.037	2.41 x 10 ⁻²	7.060	1,097.5	UPSG2.5-72PH-K	0.127 - 0.037	2.38 x 10 ⁻²	6.997	878.0
UPSG2.5-75H-K	0.129 - 0.035	2.76 x 10 ⁻²	7.484	1,138.8	UPSG2.5-75PH-K	0.129 - 0.035	2.74 x 10 ⁻²	7.417	911.0
UPSG2.5-78H-K	0.129 - 0.035	3.16 x 10 ⁻²	7.925	1,179.3	UPSG2.5-78PH-K	0.129 - 0.035	3.13 x 10 ⁻²	7.854	943.4
UPSG2.5-80H-K	0.129 - 0.035	3.80 x 10 ⁻²	8.975	1,205.9	UPSG2.5-80PH-K	0.129 - 0.035	3.76 x 10 ⁻²	8.895	964.7
UPSG2.5-82H-K	0.129 - 0.035	4.12 x 10 ⁻²	9.286	1,232.2	UPSG2.5-82PH-K	0.129 - 0.035	4.08 x 10 ⁻²	9.204	985.8
UPSG2.5-85H-K	0.129 - 0.035	4.64 x 10 ⁻²	9.768	1,270.9	UPSG2.5-85PH-K	0.129 - 0.035	4.60 x 10 ⁻²	9.680	1,016.7
UPSG2.5-88H-K	0.129 - 0.035	5.74 x 10 ⁻²	11.091	1,308.9	UPSG2.5-88PH-K	0.129 - 0.035	5.69 x 10 ⁻²	10.992	1,047.1
UPSG2.5-90H-K	0.129 - 0.035	6.16 x 10 ⁻²	11.433	1,333.8	UPSG2.5-90PH-K	0.129 - 0.035	6.11 x 10 ⁻²	11.331	1,067.0
UPSG2.5-92H-K	0.129 - 0.035	6.61 x 10 ⁻²	11.783	1,358.3	UPSG2.5-92PH-K	0.129 - 0.035	6.55 x 10 ⁻²	11.678	1,086.6
UPSG2.5-95H-K	0.129 - 0.035	7.35 x 10 ⁻²	12.322	1,394.5	UPSG2.5-95PH-K	0.129 - 0.035	7.28 x 10 ⁻²	12.212	1,115.6
UPSG2.5-98H-K	0.129 - 0.035	8.15 x 10 ⁻²	12.878	1,429.9	UPSG2.5-98PH-K	0.129 - 0.035	8.08 x 10 ⁻²	12.763	1,143.9

**UPSG
3.0m_n**

PRECISION GROUND GEARS

3.0 Module Ground Spur Gear α 20° PA

Quality Grade 4f24 DIN 3961/3967



DIN 3967 Tooth Thickness tol.

Part Number		No. of Teeth <i>z</i>	Ref. Dia. <i>d</i>	Tip Dia. <i>da</i>	Bore H6 <i>dj</i>	Keyway DIN 6885-1 <i>K Js9</i>	Max. Bore H6 <i>dj</i>	Hub Dia. <i>BD</i>
Case Hardened 805M20	Stainless Steel 17-4PH							
UPSG3.0-20H-K	UPSG3.0-20PH-K	20	60	66	10	3 x 3	24	40
UPSG3.0-22H-K	UPSG3.0-22PH-K	22	66	72	10	3 x 3	24	40
UPSG3.0-23H-K	UPSG3.0-23PH-K	23	69	75	10	3 x 3	24	40
UPSG3.0-24H-K	UPSG3.0-24PH-K	24	72	78	10	3 x 3	30	50
UPSG3.0-25H-K	UPSG3.0-25PH-K	25	75	81	10	3 x 3	30	50
UPSG3.0-26H-K	UPSG3.0-26PH-K	26	78	84	10	3 x 3	30	50
UPSG3.0-27H-K	UPSG3.0-27PH-K	27	81	87	10	3 x 3	30	50
UPSG3.0-28H-K	UPSG3.0-28PH-K	28	84	90	10	3 x 3	30	50
UPSG3.0-29H-K	UPSG3.0-29PH-K	29	87	93	10	3 x 3	30	50
UPSG3.0-30H-K	UPSG3.0-30PH-K	30	90	96	12	4 x 4	36	60
UPSG3.0-32H-K	UPSG3.0-32PH-K	32	96	102	12	4 x 4	36	60
UPSG3.0-35H-K	UPSG3.0-35PH-K	35	105	111	12	4 x 4	36	60
UPSG3.0-38H-K	UPSG3.0-38PH-K	38	114	120	12	4 x 4	36	60
UPSG3.0-40H-K	UPSG3.0-40PH-K	40	120	126	14	5 x 5	48	80
UPSG3.0-42H-K	UPSG3.0-42PH-K	42	126	132	14	5 x 5	48	80
UPSG3.0-45H-K	UPSG3.0-45PH-K	45	135	141	14	5 x 5	48	80
UPSG3.0-48H-K	UPSG3.0-48PH-K	48	144	150	16	5 x 5	60	100
UPSG3.0-50H-K	UPSG3.0-50PH-K	50	150	156	16	5 x 5	60	100
UPSG3.0-52H-K	UPSG3.0-52PH-K	52	156	162	16	5 x 5	60	100
UPSG3.0-55H-K	UPSG3.0-55PH-K	55	165	171	16	5 x 5	60	100
UPSG3.0-58H-K	UPSG3.0-58PH-K	58	174	180	20	6 x 6	72	120
UPSG3.0-60H-K	UPSG3.0-60PH-K	60	180	186	20	6 x 6	72	120
UPSG3.0-62H-K	UPSG3.0-62PH-K	62	186	192	20	6 x 6	72	120
UPSG3.0-65H-K	UPSG3.0-65PH-K	65	195	201	20	6 x 6	72	120
UPSG3.0-68H-K	UPSG3.0-68PH-K	68	204	210	24	8 x 7	80	140
UPSG3.0-70H-K	UPSG3.0-70PH-K	70	210	216	24	8 x 7	80	140
UPSG3.0-72H-K	UPSG3.0-72PH-K	72	216	222	24	8 x 7	80	140
UPSG3.0-75H-K	UPSG3.0-75PH-K	75	225	231	30	8 x 7	96	160
UPSG3.0-78H-K	UPSG3.0-78PH-K	78	234	240	30	8 x 7	96	160
UPSG3.0-80H-K	UPSG3.0-80PH-K	80	240	246	30	8 x 7	96	160
UPSG3.0-82H-K	UPSG3.0-82PH-K	82	246	252	30	8 x 7	96	160
UPSG3.0-85H-K	UPSG3.0-85PH-K	85	255	261	32	10 x 8	108	180
UPSG3.0-88H-K	UPSG3.0-88PH-K	88	264	270	32	10 x 8	108	180
UPSG3.0-90H-K	UPSG3.0-90PH-K	90	270	276	32	10 x 8	108	180
UPSG3.0-92H-K	UPSG3.0-92PH-K	92	276	282	32	10 x 8	108	180
UPSG3.0-95H-K	UPSG3.0-95PH-K	95	285	291	36	10 x 8	120	200
UPSG3.0-98H-K	UPSG3.0-98PH-K	98	294	300	36	10 x 8	120	200

**UPSG
3.0m_n**

PRECISION GROUND GEARS

3.0 Module Ground Spur Gear α 20° PA

Quality Grade 4f24 DIN 3961/3967

Standard Part **UPSG** **3.0** **40** **H** **K**

Modified Part **UPSG** **3.0** **40** **PH** **30** **K**

UPSG - Precision Form Ground Spur Gear
Quality Grade 4f24 DIN 3961/3967
Other Quality Grades available
See Technical

m_n Module - Cut with DIN 867 1.25/0.20/1.0
Ref. Tooth Profile Topping WD = 2.25 x m_n
Ground flanks and root

Number of Teeth **z**

K - Keyway supplied to
DIN 6885 - Js9 tolerance
See Technical

To specify different bore enter size required
Example: 30 = 30mm H6 etc
See Technical

Material H
805M20 Case Hardened 58-62HRC
Material PH
17-4PH Condition H1025, 38-40HRC

Stated keyway size relates to minimum bore.

Other numbers of teeth and tooth tolerances available on request.

Lead crowning (barrelling), profile crowning and other modifications available on request.

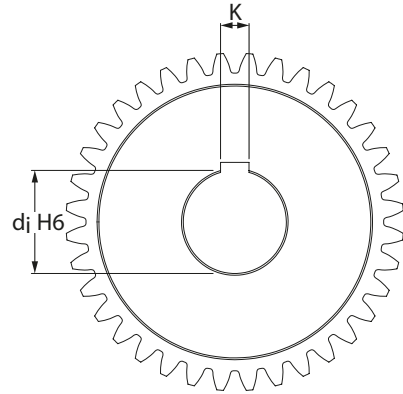
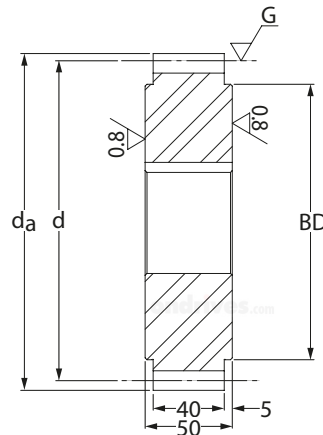
Part Number Case Hardened 805M20	Backlash (mm) j _{t,e} (max)/j _{t,i} (min)	Inertia kgm ²	Mass kg	Torque T ₂ Nm n ₂ 100 Rpm	Part Number Stainless Steel 17-4PH	Backlash (mm) j _{t,e} (max)/j _{t,i} (min)	Inertia kgm ²	Mass kg	Torque T ₂ Nm n ₂ 100 Rpm
UPSG3.0-20H-K	0.099 - 0.027	3.66 x 10 ⁻⁴	0.917	203.1	UPSG3.0-20PH-K	0.099 - 0.027	3.63 x 10 ⁻⁴	0.909	162.5
UPSG3.0-22H-K	0.099 - 0.027	5.05 x 10 ⁻⁴	1.055	257.2	UPSG3.0-22PH-K	0.099 - 0.027	5.00 x 10 ⁻⁴	1.045	205.8
UPSG3.0-23H-K	0.099 - 0.027	5.90 x 10 ⁻⁴	1.129	286.7	UPSG3.0-23PH-K	0.099 - 0.027	5.85 x 10 ⁻⁴	1.119	229.3
UPSG3.0-24H-K	0.099 - 0.027	7.72 x 10 ⁻⁴	1.373	317.8	UPSG3.0-24PH-K	0.099 - 0.027	7.65 x 10 ⁻⁴	1.361	254.2
UPSG3.0-25H-K	0.099 - 0.027	8.82 x 10 ⁻⁴	1.454	350.6	UPSG3.0-25PH-K	0.099 - 0.027	8.74 x 10 ⁻⁴	1.441	280.5
UPSG3.0-26H-K	0.099 - 0.027	1.01 x 10 ⁻³	1.538	385.1	UPSG3.0-26PH-K	0.099 - 0.027	9.96 x 10 ⁻⁴	1.524	308.0
UPSG3.0-27H-K	0.101 - 0.025	1.14 x 10 ⁻³	1.625	418.7	UPSG3.0-27PH-K	0.101 - 0.025	1.13 x 10 ⁻³	1.611	335.0
UPSG3.0-28H-K	0.101 - 0.025	1.30 x 10 ⁻³	1.716	453.8	UPSG3.0-28PH-K	0.101 - 0.025	1.29 x 10 ⁻³	1.700	363.0
UPSG3.0-29H-K	0.101 - 0.025	1.47 x 10 ⁻³	1.810	490.2	UPSG3.0-29PH-K	0.101 - 0.025	1.46 x 10 ⁻³	1.794	392.2
UPSG3.0-30H-K	0.101 - 0.025	1.82 x 10 ⁻³	2.094	528.2	UPSG3.0-30PH-K	0.101 - 0.025	1.80 x 10 ⁻³	2.076	422.6
UPSG3.0-32H-K	0.101 - 0.025	2.26 x 10 ⁻³	2.299	608.5	UPSG3.0-32PH-K	0.101 - 0.025	2.24 x 10 ⁻³	2.279	486.8
UPSG3.0-35H-K	0.101 - 0.025	3.10 x 10 ⁻³	2.631	739.8	UPSG3.0-35PH-K	0.101 - 0.025	3.07 x 10 ⁻³	2.608	591.8
UPSG3.0-38H-K	0.101 - 0.025	4.18 x 10 ⁻³	2.993	884.4	UPSG3.0-38PH-K	0.101 - 0.025	4.15 x 10 ⁻³	2.967	707.5
UPSG3.0-40H-K	0.101 - 0.025	5.71 x 10 ⁻³	3.750	988.0	UPSG3.0-40PH-K	0.101 - 0.025	5.66 x 10 ⁻³	3.716	790.4
UPSG3.0-42H-K	0.127 - 0.037	6.73 x 10 ⁻³	4.021	1,097.5	UPSG3.0-42PH-K	0.127 - 0.037	6.67 x 10 ⁻³	3.985	878.0
UPSG3.0-45H-K	0.127 - 0.037	8.57 x 10 ⁻³	4.453	1,192.5	UPSG3.0-45PH-K	0.127 - 0.037	8.49 x 10 ⁻³	4.414	954.0
UPSG3.0-48H-K	0.127 - 0.037	1.22 x 10 ⁻²	5.559	1,274.5	UPSG3.0-48PH-K	0.127 - 0.037	1.21 x 10 ⁻²	5.509	1,019.6
UPSG3.0-50H-K	0.127 - 0.037	1.39 x 10 ⁻²	5.883	1,328.5	UPSG3.0-50PH-K	0.127 - 0.037	1.38 x 10 ⁻²	5.831	1,062.8
UPSG3.0-52H-K	0.127 - 0.037	1.59 x 10 ⁻²	6.221	1,381.8	UPSG3.0-52PH-K	0.127 - 0.037	1.58 x 10 ⁻²	6.166	1,105.4
UPSG3.0-55H-K	0.127 - 0.037	1.93 x 10 ⁻²	6.753	1,460.7	UPSG3.0-55PH-K	0.127 - 0.037	1.91 x 10 ⁻²	6.693	1,168.6
UPSG3.0-58H-K	0.127 - 0.037	2.58 x 10 ⁻²	8.076	1,538.2	UPSG3.0-58PH-K	0.127 - 0.037	2.56 x 10 ⁻²	8.004	1,230.6
UPSG3.0-60H-K	0.127 - 0.037	2.89 x 10 ⁻²	8.467	1,589.0	UPSG3.0-60PH-K	0.127 - 0.037	2.86 x 10 ⁻²	8.391	1,271.2
UPSG3.0-62H-K	0.129 - 0.035	3.22 x 10 ⁻²	8.871	1,639.2	UPSG3.0-62PH-K	0.129 - 0.035	3.19 x 10 ⁻²	8.792	1,311.4
UPSG3.0-65H-K	0.129 - 0.035	3.79 x 10 ⁻²	9.503	1,713.6	UPSG3.0-65PH-K	0.129 - 0.035	3.76 x 10 ⁻²	9.418	1,370.9
UPSG3.0-68H-K	0.129 - 0.035	4.86 x 10 ⁻²	11.061	1,786.5	UPSG3.0-68PH-K	0.129 - 0.035	4.82 x 10 ⁻²	10.963	1,429.2
UPSG3.0-70H-K	0.129 - 0.035	5.35 x 10 ⁻²	11.519	1,834.2	UPSG3.0-70PH-K	0.129 - 0.035	5.30 x 10 ⁻²	11.417	1,467.4
UPSG3.0-72H-K	0.129 - 0.035	5.88 x 10 ⁻²	11.990	1,881.3	UPSG3.0-72PH-K	0.129 - 0.035	5.83 x 10 ⁻²	11.883	1,505.0
UPSG3.0-75H-K	0.129 - 0.035	7.39 x 10 ⁻²	13.712	1,950.9	UPSG3.0-75PH-K	0.129 - 0.035	7.32 x 10 ⁻²	13.590	1,560.7
UPSG3.0-78H-K	0.129 - 0.035	8.39 x 10 ⁻²	14.473	2,019.0	UPSG3.0-78PH-K	0.129 - 0.035	8.31 x 10 ⁻²	14.344	1,615.2
UPSG3.0-80H-K	0.129 - 0.035	9.12 x 10 ⁻²	14.998	2,063.6	UPSG3.0-80PH-K	0.129 - 0.035	9.04 x 10 ⁻²	14.864	1,650.9
UPSG3.0-82H-K	0.129 - 0.035	9.91 x 10 ⁻²	15.535	2,107.5	UPSG3.0-82PH-K	0.129 - 0.035	9.83 x 10 ⁻²	15.397	1,686.0
UPSG3.0-85H-K	0.131 - 0.033	1.21 x 10 ⁻¹	17.579	2,172.4	UPSG3.0-85PH-K	0.131 - 0.033	1.20 x 10 ⁻¹	17.422	1,737.9
UPSG3.0-88H-K	0.131 - 0.033	1.36 x 10 ⁻¹	18.440	2,235.6	UPSG3.0-88PH-K	0.131 - 0.033	1.34 x 10 ⁻¹	18.276	1,788.5
UPSG3.0-90H-K	0.131 - 0.033	1.46 x 10 ⁻¹	19.031	2,277.2	UPSG3.0-90PH-K	0.131 - 0.033	1.45 x 10 ⁻¹	18.862	1,821.7
UPSG3.0-92H-K	0.131 - 0.033	1.57 x 10 ⁻¹	19.636	2,317.8	UPSG3.0-92PH-K	0.131 - 0.033	1.56 x 10 ⁻¹	19.460	1,854.2
UPSG3.0-95H-K	0.169 - 0.051	1.88 x 10 ⁻¹	21.872	2,374.5	UPSG3.0-95PH-K	0.169 - 0.051	1.87 x 10 ⁻¹	21.677	1,899.6
UPSG3.0-98H-K	0.169 - 0.051	2.08 x 10 ⁻¹	22.833	2,432.7	UPSG3.0-98PH-K	0.169 - 0.051	2.07 x 10 ⁻¹	22.630	1,946.2

**UPSG
4.0m_n**

PRECISION GROUND GEARS

4.0 Module Ground Spur Gear α 20° PA

Quality Grade 4f24 DIN 3961/3967



DIN 3967 Tooth Thickness tol.

Part Number		No. of Teeth <i>z</i>	Ref. Dia. <i>d</i>	Tip Dia. <i>da</i>	Bore H6 <i>dj</i>	Keyway DIN 6885-1 <i>K Js9</i>	Max. Bore H6 <i>dj</i>	Hub Dia. <i>BD</i>
Case Hardened 805M20	Stainless Steel 17-4PH							
UPSG4.0-18H-K	UPSG4.0-18PH-K	18	72	80	14	5 x 5	30	42
UPSG4.0-20H-K	UPSG4.0-20PH-K	20	80	88	16	5 x 5	30	50
UPSG4.0-22H-K	UPSG4.0-22PH-K	22	88	96	16	5 x 5	36	58
UPSG4.0-24H-K	UPSG4.0-24PH-K	24	96	104	16	5 x 5	40	66
UPSG4.0-25H-K	UPSG4.0-25PH-K	25	100	108	20	6 x 6	42	70
UPSG4.0-30H-K	UPSG4.0-30PH-K	30	120	128	24	8 x 7	50	90
UPSG4.0-32H-K	UPSG4.0-32PH-K	32	128	136	24	8 x 7	60	98
UPSG4.0-35H-K	UPSG4.0-35PH-K	35	140	148	24	8 x 7	65	110
UPSG4.0-36H-K	UPSG4.0-36PH-K	36	144	152	28	8 x 7	72	114
UPSG4.0-38H-K	UPSG4.0-38PH-K	38	152	160	30	8 x 7	72	122
UPSG4.0-40H-K	UPSG4.0-40PH-K	40	160	168	36	10 x 8	80	130
UPSG4.0-42H-K	UPSG4.0-42PH-K	42	168	176	36	10 x 8	80	138
UPSG4.0-45H-K	UPSG4.0-45PH-K	45	180	188	40	12 x 8	90	150
UPSG4.0-46H-K	UPSG4.0-46PH-K	46	184	192	40	12 x 8	90	154
UPSG4.0-48H-K	UPSG4.0-48PH-K	48	192	200	42	12 x 8	95	162
UPSG4.0-50H-K	UPSG4.0-50PH-K	50	200	208	42	12 x 8	100	170
UPSG4.0-52H-K	UPSG4.0-52PH-K	52	208	216	48	14 x 9	100	178
UPSG4.0-55H-K	UPSG4.0-55PH-K	55	220	228	48	14 x 9	110	190
UPSG4.0-56H-K	UPSG4.0-56PH-K	56	224	232	50	14 x 9	110	194
UPSG4.0-58H-K	UPSG4.0-58PH-K	58	232	240	60	18 x 11	120	202
UPSG4.0-60H-K	UPSG4.0-60PH-K	60	240	248	60	18 x 11	125	210
UPSG4.0-62H-K	UPSG4.0-62PH-K	62	248	256	65	20 x 12	130	218
UPSG4.0-65H-K	UPSG4.0-65PH-K	65	260	268	72	20 x 12	135	230
UPSG4.0-68H-K	UPSG4.0-68PH-K	68	272	280	72	20 x 12	140	242
UPSG4.0-70H-K	UPSG4.0-70PH-K	70	280	288	78	22 x 14	150	250
UPSG4.0-72H-K	UPSG4.0-72PH-K	72	288	296	78	22 x 14	150	258
UPSG4.0-75H-K	UPSG4.0-75PH-K	75	300	308	80	22 x 14	160	270
UPSG4.0-78H-K	UPSG4.0-78PH-K	78	312	320	80	22 x 14	170	282
UPSG4.0-80H-K	UPSG4.0-80PH-K	80	320	328	80	22 x 14	170	290
UPSG4.0-82H-K	UPSG4.0-82PH-K	82	328	336	80	22 x 14	180	298

**UPSG
4.0m_n**

PRECISION GROUND GEARS

4.0 Module Ground Spur Gear α 20° PA

Quality Grade 4f24 DIN 3961/3967

Standard Part **UPSG** **4.0** **40** **H** **K**

Modified Part **UPSG** **4.0** **40** **PH** **50** **K**

UPSG - Precision Form Ground Spur Gear
Quality Grade 4f24 DIN 3961/3967
Other Quality Grades available
See Technical

m_n Module - Cut with DIN 867 1.25/0.20/1.0
Ref. Tooth Profile Topping WD = 2.25 x m_n
Ground flanks and root

Number of Teeth **z**

K - Keyway supplied to
DIN 6885 - Js9 tolerance
See Technical

To specify different bore enter size required
Example: 50 = 50mm H6 etc
See Technical

Material H
805M20 Case Hardened 58-62HRC
Material PH
17-4PH Condition H1025, 38-40HRC

Stated keyway size relates to minimum bore.

Other numbers of teeth and tooth tolerances available on request.

Lead crowning (barrelling), profile crowning and other modifications available on request.

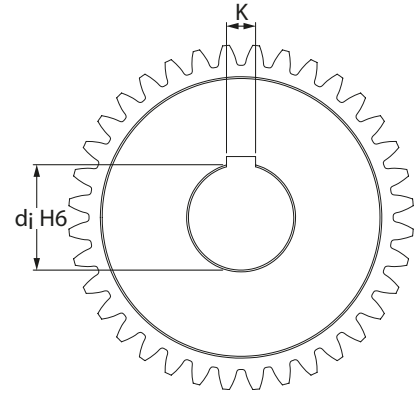
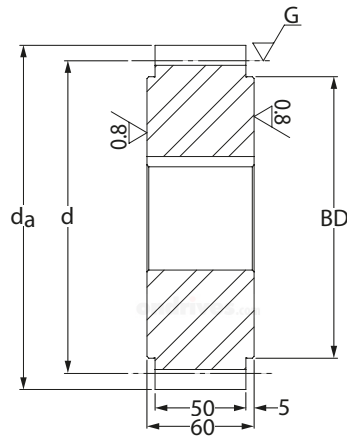
Part Number Case Hardened 805M20	Backlash (mm) <i>j_{t,e}(max) j_{t,i}(min)</i>	Inertia <i>kgm²</i>	Mass <i>kg</i>	Torque <i>T₂ Nm</i> <i>n₂100 Rpm</i>	Part Number Stainless Steel 17-4PH	Backlash (mm) <i>j_{t,e}(max) j_{t,i}(min)</i>	Inertia <i>kgm²</i>	Mass <i>kg</i>	Torque <i>T₂ Nm</i> <i>n₂100 Rpm</i>
UPSG4.0-18H-K	0.099 - 0.027	8.82 x 10 ⁻⁴	1.311	395.4	UPSG4.0-18PH-K	0.099 - 0.027	8.74 x 10 ⁻⁴	1.300	316.3
UPSG4.0-20H-K	0.099 - 0.027	1.34 x 10 ⁻³	1.634	514.2	UPSG4.0-20PH-K	0.099 - 0.027	1.33 x 10 ⁻³	1.620	411.4
UPSG4.0-22H-K	0.101 - 0.025	1.96 x 10 ⁻³	2.015	642.0	UPSG4.0-22PH-K	0.101 - 0.025	1.95 x 10 ⁻³	1.997	513.6
UPSG4.0-24H-K	0.101 - 0.025	2.79 x 10 ⁻³	2.435	780.9	UPSG4.0-24PH-K	0.101 - 0.025	2.77 x 10 ⁻³	2.414	624.7
UPSG4.0-25H-K	0.101 - 0.025	3.29 x 10 ⁻³	2.616	855.5	UPSG4.0-25PH-K	0.101 - 0.025	3.26 x 10 ⁻³	2.593	684.4
UPSG4.0-30H-K	0.101 - 0.025	6.89 x 10 ⁻³	3.834	1,280.3	UPSG4.0-30PH-K	0.101 - 0.025	6.83 x 10 ⁻³	3.800	1,024.2
UPSG4.0-32H-K	0.127 - 0.037	8.96 x 10 ⁻³	4.412	1,474.7	UPSG4.0-32PH-K	0.127 - 0.037	8.88 x 10 ⁻³	4.373	1,179.8
UPSG4.0-35H-K	0.127 - 0.037	1.29 x 10 ⁻²	5.353	1,792.5	UPSG4.0-35PH-K	0.127 - 0.037	1.28 x 10 ⁻²	5.306	1,434.0
UPSG4.0-36H-K	0.127 - 0.037	1.45 x 10 ⁻²	5.623	1,905.5	UPSG4.0-36PH-K	0.127 - 0.037	1.43 x 10 ⁻²	5.572	1,524.4
UPSG4.0-38H-K	0.127 - 0.037	1.80 x 10 ⁻²	6.283	2,141.5	UPSG4.0-38PH-K	0.127 - 0.037	1.79 x 10 ⁻²	6.227	1,713.2
UPSG4.0-40H-K	0.127 - 0.037	2.22 x 10 ⁻²	6.897	2,392.0	UPSG4.0-40PH-K	0.127 - 0.037	2.20 x 10 ⁻²	6.836	1,913.6
UPSG4.0-42H-K	0.127 - 0.037	2.71 x 10 ⁻²	7.672	2,610.4	UPSG4.0-42PH-K	0.127 - 0.037	2.69 x 10 ⁻²	7.604	2,088.3
UPSG4.0-45H-K	0.127 - 0.037	3.59 x 10 ⁻²	8.816	2,804.0	UPSG4.0-45PH-K	0.127 - 0.037	3.56 x 10 ⁻²	8.737	2,243.2
UPSG4.0-46H-K	0.129 - 0.035	3.93 x 10 ⁻²	9.248	2,867.7	UPSG4.0-46PH-K	0.129 - 0.035	3.90 x 10 ⁻²	9.165	2,294.2
UPSG4.0-48H-K	0.129 - 0.035	4.68 x 10 ⁻²	10.091	2,993.8	UPSG4.0-48PH-K	0.129 - 0.035	4.63 x 10 ⁻²	10.001	2,395.0
UPSG4.0-50H-K	0.129 - 0.035	5.53 x 10 ⁻²	11.024	3,118.5	UPSG4.0-50PH-K	0.129 - 0.035	5.48 x 10 ⁻²	10.926	2,494.8
UPSG4.0-52H-K	0.129 - 0.035	6.48 x 10 ⁻²	11.830	3,241.3	UPSG4.0-52PH-K	0.129 - 0.035	6.42 x 10 ⁻²	11.725	2,593.0
UPSG4.0-55H-K	0.129 - 0.035	8.15 x 10 ⁻²	13.363	3,422.3	UPSG4.0-55PH-K	0.129 - 0.035	8.07 x 10 ⁻²	13.244	2,737.8
UPSG4.0-56H-K	0.129 - 0.035	8.77 x 10 ⁻²	13.834	3,481.8	UPSG4.0-56PH-K	0.129 - 0.035	8.69 x 10 ⁻²	13.710	2,785.4
UPSG4.0-58H-K	0.129 - 0.035	1.01 x 10 ⁻¹	14.586	3,599.5	UPSG4.0-58PH-K	0.129 - 0.035	1.00 x 10 ⁻¹	14.455	2,879.6
UPSG4.0-60H-K	0.129 - 0.035	1.16 x 10 ⁻¹	15.716	3,715.5	UPSG4.0-60PH-K	0.129 - 0.035	1.15 x 10 ⁻¹	15.576	2,972.4
UPSG4.0-62H-K	0.129 - 0.035	1.32 x 10 ⁻¹	16.693	3,829.7	UPSG4.0-62PH-K	0.129 - 0.035	1.31 x 10 ⁻¹	16.544	3,063.8
UPSG4.0-65H-K	0.131 - 0.033	1.60 x 10 ⁻¹	18.227	3,997.8	UPSG4.0-65PH-K	0.131 - 0.033	1.59 x 10 ⁻¹	18.064	3,198.2
UPSG4.0-68H-K	0.131 - 0.033	1.93 x 10 ⁻¹	20.144	4,162.0	UPSG4.0-68PH-K	0.131 - 0.033	1.91 x 10 ⁻¹	19.965	3,329.6
UPSG4.0-70H-K	0.131 - 0.033	2.17 x 10 ⁻¹	21.195	4,269.3	UPSG4.0-70PH-K	0.131 - 0.033	2.15 x 10 ⁻¹	21.006	3,415.4
UPSG4.0-72H-K	0.169 - 0.051	2.43 x 10 ⁻¹	22.562	4,371.4	UPSG4.0-72PH-K	0.169 - 0.051	2.41 x 10 ⁻¹	22.361	3,497.1
UPSG4.0-75H-K	0.169 - 0.051	2.87 x 10 ⁻¹	24.589	4,525.7	UPSG4.0-75PH-K	0.169 - 0.051	2.85 x 10 ⁻¹	24.370	3,620.6
UPSG4.0-78H-K	0.169 - 0.051	3.37 x 10 ⁻¹	26.803	4,676.3	UPSG4.0-78PH-K	0.169 - 0.051	3.34 x 10 ⁻¹	26.564	3,741.0
UPSG4.0-80H-K	0.171 - 0.049	3.74 x 10 ⁻¹	28.328	4,774.2	UPSG4.0-80PH-K	0.171 - 0.049	3.70 x 10 ⁻¹	28.075	3,819.4
UPSG4.0-82H-K	0.171 - 0.049	4.13 x 10 ⁻¹	29.892	4,870.6	UPSG4.0-82PH-K	0.171 - 0.049	4.10 x 10 ⁻¹	29.626	3,896.5

**UPSG
5.0m_n**

PRECISION GROUND GEARS

5.0 Module Ground Spur Gear α 20° PA

Quality Grade 4f24 DIN 3961/3967



DIN 3967 Tooth Thickness tol.

Part Number		No. of Teeth <i>z</i>	Ref. Dia. <i>d</i>	Tip Dia. <i>da</i>	Bore H6 <i>dj</i>	Keyway DIN 6885-1 <i>K Js9</i>	Max. Bore H6 <i>dj</i>	Hub Dia. <i>BD</i>
Case Hardened 805M20	Stainless Steel 17-4PH							
UPSG5.0-18H-K	UPSG5.0-18PH-K	18	90	100	20	6 x 6	30	50
UPSG5.0-20H-K	UPSG5.0-20PH-K	20	100	110	20	6 x 6	36	60
UPSG5.0-22H-K	UPSG5.0-22PH-K	22	110	120	24	8 x 7	42	70
UPSG5.0-24H-K	UPSG5.0-24PH-K	24	120	130	24	8 x 7	48	80
UPSG5.0-25H-K	UPSG5.0-25PH-K	25	125	135	28	8 x 7	50	85
UPSG5.0-30H-K	UPSG5.0-30PH-K	30	150	160	28	8 x 7	65	110
UPSG5.0-32H-K	UPSG5.0-32PH-K	32	160	170	30	8 x 7	72	120
UPSG5.0-35H-K	UPSG5.0-35PH-K	35	175	185	36	10 x 8	80	135
UPSG5.0-36H-K	UPSG5.0-36PH-K	36	180	190	36	10 x 8	80	140
UPSG5.0-38H-K	UPSG5.0-38PH-K	38	190	200	40	12 x 8	90	150
UPSG5.0-40H-K	UPSG5.0-40PH-K	40	200	210	42	12 x 8	95	160
UPSG5.0-42H-K	UPSG5.0-42PH-K	42	210	220	42	12 x 8	100	170
UPSG5.0-45H-K	UPSG5.0-45PH-K	45	225	235	48	14 x 9	110	185
UPSG5.0-46H-K	UPSG5.0-46PH-K	46	230	240	50	14 x 9	110	190
UPSG5.0-48H-K	UPSG5.0-48PH-K	48	240	250	60	18 x 11	120	200
UPSG5.0-50H-K	UPSG5.0-50PH-K	50	250	260	60	18 x 11	125	210
UPSG5.0-52H-K	UPSG5.0-52PH-K	52	260	270	72	20 x 12	130	220
UPSG5.0-55H-K	UPSG5.0-55PH-K	55	275	285	78	22 x 14	140	235
UPSG5.0-56H-K	UPSG5.0-56PH-K	56	280	290	78	22 x 14	140	240
UPSG5.0-58H-K	UPSG5.0-58PH-K	58	290	300	80	22 x 14	150	250
UPSG5.0-60H-K	UPSG5.0-60PH-K	60	300	310	80	22 x 14	150	260
UPSG5.0-62H-K	UPSG5.0-62PH-K	62	310	320	90	25 x 14	160	270
UPSG5.0-65H-K	UPSG5.0-65PH-K	65	325	335	90	25 x 14	170	285

**UPSG
5.0m_n**

PRECISION GROUND GEARS

5.0 Module Ground Spur Gear α 20° PA

Quality Grade 4f24 DIN 3961/3967

Standard Part **UPSG** **5.0** **40** **H** **K**

Modified Part **UPSG** **5.0** **40** **PH** **50** **K**

UPSG - Precision Form Ground Spur Gear
Quality Grade 4f24 DIN 3961/3967
Other Quality Grades available
See Technical

m_n Module - Cut with DIN 867 1.25/0.20/1.0
Ref. Tooth Profile Topping WD = 2.25 x m_n
Ground flanks and root

Number of Teeth **z**

K - Keyway supplied to
DIN 6885 - Js9 tolerance
See Technical

To specify different bore enter size required
Example: 50 = 50mm H6 etc
See Technical

Material H
805M20 Case Hardened 58-62HRc
Material PH
17-4PH Condition H1025, 38-40HRc

Stated keyway size relates to minimum bore.

Other numbers of teeth and tooth tolerances available on request.

Lead crowning (barrelling), profile crowning and other modifications available on request.

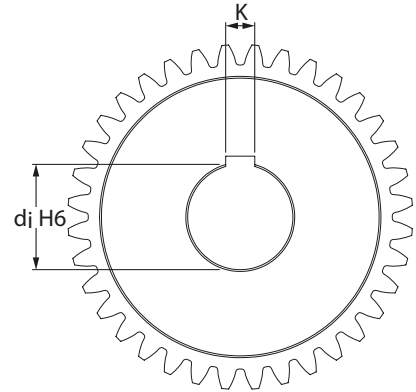
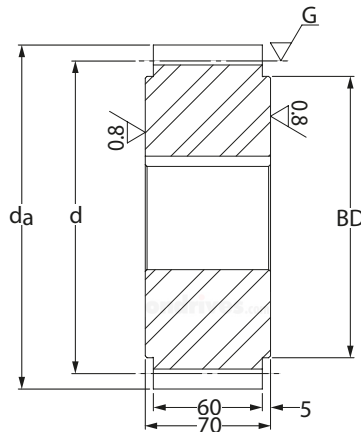
Part Number Case Hardened 805M20	Backlash (mm) <i>j_{t,e}(max) j_{t,i}(min)</i>	Inertia <i>kgm²</i>	Mass <i>kg</i>	Torque <i>T₂ Nm</i> <i>n₂ 100 Rpm</i>	Part Number Stainless Steel 17-4PH	Backlash (mm) <i>j_{t,e}(max) j_{t,i}(min)</i>	Inertia <i>kgm²</i>	Mass <i>kg</i>	Torque <i>T₂ Nm</i> <i>n₂ 100 Rpm</i>
UPSG5.0-18H-K	0.101 - 0.025	2.66 x 10 ⁻³	2.473	795.0	UPSG5.0-18PH-K	0.101 - 0.025	2.64 x 10 ⁻³	2.451	636.0
UPSG5.0-20H-K	0.101 - 0.025	4.04 x 10 ⁻³	3.119	1,027.8	UPSG5.0-20PH-K	0.101 - 0.025	4.01 x 10 ⁻³	3.091	822.2
UPSG5.0-22H-K	0.101 - 0.025	5.91 x 10 ⁻³	3.774	1,277.3	UPSG5.0-22PH-K	0.101 - 0.025	5.85 x 10 ⁻³	3.740	1,021.8
UPSG5.0-24H-K	0.101 - 0.025	8.38 x 10 ⁻³	4.568	1,553.5	UPSG5.0-24PH-K	0.101 - 0.025	8.30 x 10 ⁻³	4.527	1,242.8
UPSG5.0-25H-K	0.103 - 0.023	9.86 x 10 ⁻³	4.915	1,702.0	UPSG5.0-25PH-K	0.103 - 0.023	9.77 x 10 ⁻³	4.871	1,361.6
UPSG5.0-30H-K	0.127 - 0.037	2.06 x 10 ⁻²	7.316	2,546.5	UPSG5.0-30PH-K	0.127 - 0.037	2.04 x 10 ⁻²	7.251	2,037.2
UPSG5.0-32H-K	0.127 - 0.037	2.68 x 10 ⁻²	8.363	2,932.5	UPSG5.0-32PH-K	0.127 - 0.037	2.65 x 10 ⁻²	8.288	2,346.0
UPSG5.0-35H-K	0.127 - 0.037	3.85 x 10 ⁻²	9.990	3,563.0	UPSG5.0-35PH-K	0.127 - 0.037	3.81 x 10 ⁻²	9.901	2,850.4
UPSG5.0-36H-K	0.127 - 0.037	4.32 x 10 ⁻²	10.618	3,787.0	UPSG5.0-36PH-K	0.127 - 0.037	4.28 x 10 ⁻²	10.523	3,029.6
UPSG5.0-38H-K	0.129 - 0.035	5.37 x 10 ⁻²	11.817	4,256.0	UPSG5.0-38PH-K	0.129 - 0.035	5.33 x 10 ⁻²	11.712	3,404.8
UPSG5.0-40H-K	0.129 - 0.035	6.62 x 10 ⁻²	13.142	4,752.0	UPSG5.0-40PH-K	0.129 - 0.035	6.56 x 10 ⁻²	13.025	3,801.6
UPSG5.0-42H-K	0.129 - 0.035	8.07 x 10 ⁻²	14.602	5,068.5	UPSG5.0-42PH-K	0.129 - 0.035	8.00 x 10 ⁻²	14.471	4,054.8
UPSG5.0-45H-K	0.129 - 0.035	1.07 x 10 ⁻¹	16.730	5,440.0	UPSG5.0-45PH-K	0.129 - 0.035	1.06 x 10 ⁻¹	16.581	4,352.0
UPSG5.0-46H-K	0.129 - 0.035	1.17 x 10 ⁻¹	17.471	5,562.0	UPSG5.0-46PH-K	0.129 - 0.035	1.16 x 10 ⁻¹	17.315	4,449.6
UPSG5.0-48H-K	0.129 - 0.035	1.39 x 10 ⁻¹	18.745	5,803.6	UPSG5.0-48PH-K	0.129 - 0.035	1.37 x 10 ⁻¹	18.578	4,642.9
UPSG5.0-50H-K	0.129 - 0.035	1.64 x 10 ⁻¹	20.501	6,041.5	UPSG5.0-50PH-K	0.129 - 0.035	1.62 x 10 ⁻¹	20.318	4,833.2
UPSG5.0-52H-K	0.131 - 0.033	1.91 x 10 ⁻¹	21.744	6,275.6	UPSG5.0-52PH-K	0.131 - 0.033	1.90 x 10 ⁻¹	21.551	5,020.5
UPSG5.0-55H-K	0.131 - 0.033	2.40 x 10 ⁻¹	24.295	6,620.0	UPSG5.0-55PH-K	0.131 - 0.033	2.38 x 10 ⁻¹	24.078	5,296.0
UPSG5.0-56H-K	0.131 - 0.033	2.59 x 10 ⁻¹	25.293	6,733.0	UPSG5.0-56PH-K	0.131 - 0.033	2.56 x 10 ⁻¹	25.067	5,386.4
UPSG5.0-58H-K	0.169 - 0.051	2.99 x 10 ⁻¹	27.227	6,953.0	UPSG5.0-58PH-K	0.169 - 0.051	2.96 x 10 ⁻¹	26.984	5,562.4
UPSG5.0-60H-K	0.169 - 0.051	3.43 x 10 ⁻¹	29.353	7,172.0	UPSG5.0-60PH-K	0.169 - 0.051	3.40 x 10 ⁻¹	29.091	5,737.6
UPSG5.0-62H-K	0.169 - 0.051	3.91 x 10 ⁻¹	30.923	7,387.0	UPSG5.0-62PH-K	0.169 - 0.051	3.87 x 10 ⁻¹	30.648	5,909.6
UPSG5.0-65H-K	0.171 - 0.049	4.74 x 10 ⁻¹	34.361	7,702.5	UPSG5.0-65PH-K	0.171 - 0.049	4.70 x 10 ⁻¹	34.055	6,162.0

**UPSG
6.0m_n**

PRECISION GROUND GEARS

6.0 Module Ground Spur Gear α 20° PA

Quality Grade 4f24 DIN 3961/3967



DIN 3967 Tooth Thickness tol.

Part Number		No. of Teeth <i>z</i>	Ref. Dia. <i>d</i>	Tip Dia. <i>d_a</i>	Bore H6 <i>d_i</i>	Keyway DIN 6885-1 <i>K Js9</i>	Max. Bore H6 <i>d_i</i>	Hub Dia. <i>BD</i>
Case Hardened 805M20	Stainless Steel 17-4PH							
UPSG6.0-18H-K	UPSG6.0-18PH-K	18	108	120	20	6 x 6	40	65
UPSG6.0-20H-K	UPSG6.0-20PH-K	20	120	132	24	8 x 7	45	75
UPSG6.0-22H-K	UPSG6.0-22PH-K	22	132	144	28	8 x 7	55	90
UPSG6.0-24H-K	UPSG6.0-24PH-K	24	144	156	30	8 x 7	60	100
UPSG6.0-25H-K	UPSG6.0-25PH-K	25	150	162	30	8 x 7	65	105
UPSG6.0-30H-K	UPSG6.0-30PH-K	30	180	192	36	10 x 8	80	135
UPSG6.0-32H-K	UPSG6.0-32PH-K	32	192	204	40	12 x 8	90	150
UPSG6.0-35H-K	UPSG6.0-35PH-K	35	210	222	42	12 x 8	100	165
UPSG6.0-36H-K	UPSG6.0-36PH-K	36	216	228	42	12 x 8	100	175
UPSG6.0-38H-K	UPSG6.0-38PH-K	38	228	240	48	14 x 9	110	185
UPSG6.0-40H-K	UPSG6.0-40PH-K	40	240	252	50	14 x 9	115	195
UPSG6.0-42H-K	UPSG6.0-42PH-K	42	252	264	60	18 x 11	125	210
UPSG6.0-45H-K	UPSG6.0-45PH-K	45	270	282	72	20 x 12	135	225
UPSG6.0-46H-K	UPSG6.0-46PH-K	46	276	288	78	22 x 14	140	235
UPSG6.0-48H-K	UPSG6.0-48PH-K	48	288	300	78	22 x 14	145	245
UPSG6.0-50H-K	UPSG6.0-50PH-K	50	300	312	80	22 x 14	150	255
UPSG6.0-52H-K	UPSG6.0-52PH-K	52	312	324	90	25 x 14	160	270
UPSG6.0-54H-K	UPSG6.0-54PH-K	54	324	336	90	25 x 14	170	280

UPSG
6.0m_n

PRECISION GROUND GEARS

6.0 Module Ground Spur Gear α 20° PA

Quality Grade 4f24 DIN 3961/3967

Standard Part **UPSG** **6.0** **40** **H** **K**

Modified Part **UPSG** **6.0** **40** **PH** **60** **K**

UPSG - Precision Form Ground Spur Gear
Quality Grade 4f24 DIN 3961/3967
Other Quality Grades available
See Technical

m_n Module - Cut with DIN 867 1.25/0.20/1.0
Ref. Tooth Profile Topping WD = 2.25 x m_n
Ground flanks and root

Number of Teeth **z**

K - Keyway supplied to
DIN 6885 - Js9 tolerance
See Technical

To specify different bore enter size required
Example: 60 = 60mm H6 etc
See Technical

Material H
805M20 Case Hardened 58-62HRc
Material PH
17-4PH Condition H1025, 38-40HRc

Stated keyway size relates to minimum bore.

Other numbers of teeth and tooth tolerances available on request.

Lead crowning (barrelling), profile crowning and other modifications available on request.

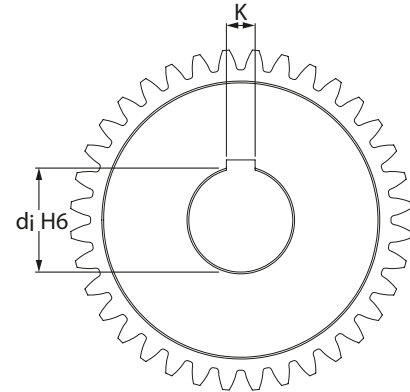
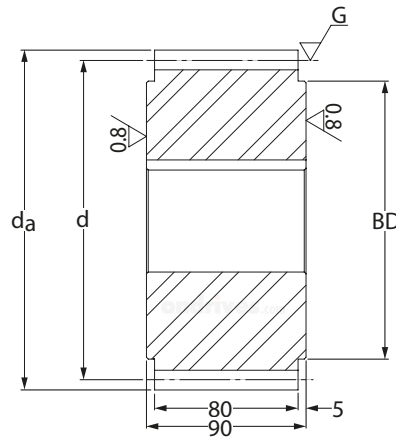
Part Number Case Hardened 805M20	Backlash (mm) <i>j_{t,e}(max) j_{t,i}(min)</i>	Inertia <i>kgm²</i>	Mass <i>kg</i>	Torque <i>T₂ Nm</i> <i>n₂100 Rpm</i>	Part Number Stainless Steel 17-4PH	Backlash (mm) <i>j_{t,e}(max) j_{t,i}(min)</i>	Inertia <i>kgm²</i>	Mass <i>kg</i>	Torque <i>T₂ Nm</i> <i>n₂100 Rpm</i>
UPSG6.0-18H-K	0.101 - 0.025	6.65 x 10 ⁻³	4.351	1,403.5	UPSG6.0-18PH-K	0.101 - 0.025	6.59 x 10 ⁻³	4.312	1,122.8
UPSG6.0-20H-K	0.101 - 0.025	1.01 x 10 ⁻²	5.360	1,792.9	UPSG6.0-20PH-K	0.101 - 0.025	9.97 x 10 ⁻³	5.312	1,434.3
UPSG6.0-22H-K	0.127 - 0.037	1.47 x 10 ⁻²	6.528	2,228.0	UPSG6.0-22PH-K	0.127 - 0.037	1.46 x 10 ⁻²	6.470	1,782.4
UPSG6.0-24H-K	0.127 - 0.037	2.08 x 10 ⁻²	7.807	2,710.0	UPSG6.0-24PH-K	0.127 - 0.037	2.06 x 10 ⁻²	7.738	2,168.0
UPSG6.0-25H-K	0.127 - 0.037	2.45 x 10 ⁻²	8.516	2,968.8	UPSG6.0-25PH-K	0.127 - 0.037	2.43 x 10 ⁻²	8.440	2,375.0
UPSG6.0-30H-K	0.127 - 0.037	5.10 x 10 ⁻²	12.418	4,440.0	UPSG6.0-30PH-K	0.127 - 0.037	5.06 x 10 ⁻²	12.308	3,552.0
UPSG6.0-32H-K	0.129 - 0.035	6.65 x 10 ⁻²	14.189	5,111.0	UPSG6.0-32PH-K	0.129 - 0.035	6.59 x 10 ⁻²	14.062	4,088.8
UPSG6.0-35H-K	0.129 - 0.035	9.51 x 10 ⁻²	17.066	6,209.0	UPSG6.0-35PH-K	0.129 - 0.035	9.43 x 10 ⁻²	16.914	4,967.2
UPSG6.0-36H-K	0.129 - 0.035	1.07 x 10 ⁻¹	18.214	6,598.0	UPSG6.0-36PH-K	0.129 - 0.035	1.06 x 10 ⁻¹	18.052	5,278.4
UPSG6.0-38H-K	0.129 - 0.035	1.33 x 10 ⁻¹	20.161	7,412.0	UPSG6.0-38PH-K	0.129 - 0.035	1.32 x 10 ⁻¹	19.981	5,929.6
UPSG6.0-40H-K	0.129 - 0.035	1.63 x 10 ⁻¹	22.375	8,179.5	UPSG6.0-40PH-K	0.129 - 0.035	1.62 x 10 ⁻¹	22.175	6,543.6
UPSG6.0-42H-K	0.131 - 0.033	2.00 x 10 ⁻¹	24.445	8,603.0	UPSG6.0-42PH-K	0.131 - 0.033	1.98 x 10 ⁻¹	24.227	6,882.4
UPSG6.0-45H-K	0.131 - 0.033	2.62 x 10 ⁻¹	27.620	9,226.5	UPSG6.0-45PH-K	0.131 - 0.033	2.60 x 10 ⁻¹	27.374	7,381.2
UPSG6.0-46H-K	0.131 - 0.033	2.88 x 10 ⁻¹	28.720	9,431.0	UPSG6.0-46PH-K	0.131 - 0.033	2.85 x 10 ⁻¹	28.464	7,544.8
UPSG6.0-48H-K	0.169 - 0.051	3.41 x 10 ⁻¹	31.507	9,832.0	UPSG6.0-48PH-K	0.169 - 0.051	3.38 x 10 ⁻¹	31.226	7,865.6
UPSG6.0-50H-K	0.169 - 0.051	4.02 x 10 ⁻¹	34.275	10,228.5	UPSG6.0-50PH-K	0.169 - 0.051	3.98 x 10 ⁻¹	33.970	8,182.8
UPSG6.0-52H-K	0.169 - 0.051	4.72 x 10 ⁻¹	36.731	10,618.5	UPSG6.0-52PH-K	0.169 - 0.051	4.68 x 10 ⁻¹	36.403	8,494.8
UPSG6.0-54H-K	0.171 - 0.049	5.49 x 10 ⁻¹	39.880	11,023.0	UPSG6.0-54PH-K	0.171 - 0.049	5.44 x 10 ⁻¹	39.524	8,818.4

UPSG
8.0m_n

PRECISION GROUND GEARS

8.0 Module Ground Spur Gear α 20° PA

Quality Grade 4f24 DIN 3961/3967



DIN 3967 Tooth Thickness tol.

Part Number		No. of Teeth <i>z</i>	Ref. Dia. <i>d</i>	Tip Dia. <i>d_a</i>	Bore H6 <i>d_i</i>	Keyway DIN 6885-1 <i>K Js9</i>	Max. Bore H6 <i>d_i</i>	Hub Dia. <i>BD</i>
Case Hardened 805M20	Stainless Steel 17-4PH							
UPSG8.0-18H-K	UPSG8.0-18PH-K	18	144	160	36	10 x 8	55	90
UPSG8.0-20H-K	UPSG8.0-20PH-K	20	160	176	40	12 x 8	65	105
UPSG8.0-22H-K	UPSG8.0-22PH-K	22	176	192	42	12 x 8	72	120
UPSG8.0-24H-K	UPSG8.0-24PH-K	24	192	208	48	14 x 9	80	135
UPSG8.0-25H-K	UPSG8.0-25PH-K	25	200	216	50	14 x 9	85	145
UPSG8.0-30H-K	UPSG8.0-30PH-K	30	240	256	55	16 x 10	110	185
UPSG8.0-32H-K	UPSG8.0-32PH-K	32	256	272	60	18 x 11	120	200
UPSG8.0-35H-K	UPSG8.0-35PH-K	35	280	296	72	20 x 12	135	225
UPSG8.0-36H-K	UPSG8.0-36PH-K	36	288	304	78	22 x 14	140	235
UPSG8.0-38H-K	UPSG8.0-38PH-K	38	304	320	80	22 x 14	150	250
UPSG8.0-40H-K	UPSG8.0-40PH-K	40	320	336	90	25 x 14	160	265
UPSG8.0-42H-K	UPSG8.0-42PH-K	42	336	352	90	25 x 14	170	280
UPSG8.0-44H-K	UPSG8.0-44PH-K	44	352	368	90	25 x 14	175	295

UPSG
8.0m_n

PRECISION GROUND GEARS

8.0 Module Ground Spur Gear α 20° PA

Quality Grade 4f24 DIN 3961/3967

Standard Part **UPSG** **8.0** **40** **H** **K**

Modified Part **UPSG** **8.0** **40** **PH** **100** **K**

UPSG - Precision Form Ground Spur Gear
Quality Grade 4f24 DIN 3961/3967
Other Quality Grades available
See Technical

m_n Module - Cut with DIN 867 1.25/0.20/1.0
Ref. Tooth Profile Topping WD = 2.25 x m_n
Ground flanks and root

Number of Teeth **z**

K - Keyway supplied to
DIN 6885 - Js9 tolerance
See Technical

To specify different bore enter size required
Example: 100 = 100mm H6 etc
See Technical

Material H
805M20 Case Hardened 58-62HRc
Material PH
17-4PH Condition H1025, 38-40HRc

Stated keyway size relates to minimum bore.

Other numbers of teeth and tooth tolerances available on request.

Lead crowning (barrelling), profile crowning and other modifications available on request.

Part Number Case Hardened 805M20	Backlash (mm) <i>j_{t,e}(max) j_{t,i}(min)</i>	Inertia <i>kgm²</i>	Mass <i>kg</i>	Torque <i>T₂ Nm</i> <i>n₂100 Rpm</i>	Part Number Stainless Steel 17-4PH	Backlash (mm) <i>j_{t,e}(max) j_{t,i}(min)</i>	Inertia <i>kgm²</i>	Mass <i>kg</i>	Torque <i>T₂ Nm</i> <i>n₂100 Rpm</i>
UPSG8.0-18H-K	0.127 - 0.037	2.79 x 10 ⁻²	9.886	3,408	UPSG8.0-18PH-K	0.127 - 0.037	2.76 x 10 ⁻²	9.797	2,726
UPSG8.0-20H-K	0.127 - 0.037	4.22 x 10 ⁻²	12.265	4,352	UPSG8.0-20PH-K	0.127 - 0.037	4.18 x 10 ⁻²	12.155	3,482
UPSG8.0-22H-K	0.127 - 0.037	6.15 x 10 ⁻²	15.002	5,408	UPSG8.0-22PH-K	0.127 - 0.037	6.10 x 10 ⁻²	14.868	4,326
UPSG8.0-24H-K	0.129 - 0.035	8.69 x 10 ⁻²	17.811	6,575	UPSG8.0-24PH-K	0.129 - 0.035	8.61 x 10 ⁻²	17.652	5,260
UPSG8.0-25H-K	0.129 - 0.035	1.02 x 10 ⁻¹	19.405	7,202	UPSG8.0-25PH-K	0.129 - 0.035	1.02 x 10 ⁻¹	19.232	5,762
UPSG8.0-30H-K	0.129 - 0.035	2.13 x 10 ⁻¹	28.530	10,758	UPSG8.0-30PH-K	0.129 - 0.035	2.11 x 10 ⁻¹	28.275	8,606
UPSG8.0-32H-K	0.131 - 0.033	2.76 x 10 ⁻¹	32.450	12,380	UPSG8.0-32PH-K	0.131 - 0.033	2.73 x 10 ⁻¹	32.160	9,904
UPSG8.0-35H-K	0.131 - 0.033	3.95 x 10 ⁻¹	38.523	15,022	UPSG8.0-35PH-K	0.131 - 0.033	3.92 x 10 ⁻¹	38.180	12,018
UPSG8.0-36H-K	0.169 - 0.051	4.43 x 10 ⁻¹	40.533	15,960	UPSG8.0-36PH-K	0.169 - 0.051	4.39 x 10 ⁻¹	40.172	12,768
UPSG8.0-38H-K	0.169 - 0.051	5.51 x 10 ⁻¹	45.446	17,803	UPSG8.0-38PH-K	0.169 - 0.051	5.46 x 10 ⁻¹	45.041	14,242
UPSG8.0-40H-K	0.171 - 0.049	6.76 x 10 ⁻¹	49.872	18,770	UPSG8.0-40PH-K	0.171 - 0.049	6.70 x 10 ⁻¹	49.428	15,016
UPSG8.0-42H-K	0.171 - 0.049	8.23 x 10 ⁻¹	55.522	19,720	UPSG8.0-42PH-K	0.171 - 0.049	8.16 x 10 ⁻¹	55.027	15,776
UPSG8.0-44H-K	0.171 - 0.049	9.94 x 10 ⁻¹	61.451	20,653	UPSG8.0-44PH-K	0.171 - 0.049	9.85 x 10 ⁻¹	60.903	16,522